

Item description/product images



Description

Material:

Grip glass-bead reinforced thermoplastic.  
 Cap thermoplastic.  
 Metal parts hardened stainless steel.

Version:

Grip and cap, black grey (RAL 7021).  
 Stainless steel parts, electropolished.

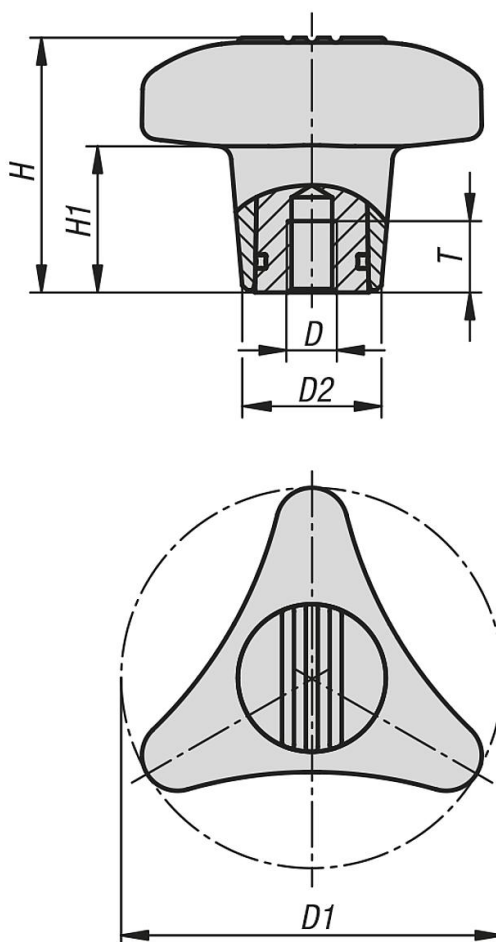
Note:

An audible click signals when the maximum torque has been reached. The grip can only be tightened with the maximum torque specified in the table.

On request:

Other internal threads, maximum torques and colours.

Drawings



Overview of items

| Order No.    | D   | D1 | D2   | H    | H1 | T  | Torque Nm |
|--------------|-----|----|------|------|----|----|-----------|
| 07126-180085 | M8  | 80 | 29,2 | 53,5 | 31 | 13 | 5         |
| 07126-180105 | M10 | 80 | 29,2 | 53,5 | 31 | 13 | 5         |

## Overview of items

| Order No.    | D   | D1 | D2   | H    | H1 | T  | Torque Nm |
|--------------|-----|----|------|------|----|----|-----------|
| 07126-180125 | M12 | 80 | 29,2 | 53,5 | 31 | 13 | 5         |