

Item description/product images



Description

Material:

Housing, steel.
Magnetic core hard ferrite.

Version:

Housing, electro zinc-plated.

Note:

Shallow pot magnets, shielded system.

Hairline cracks in the magnetic material are unavoidable for technical reasons in D=80, D=100 and D=125 versions. They do not impair the attracting function of the magnets in any way.

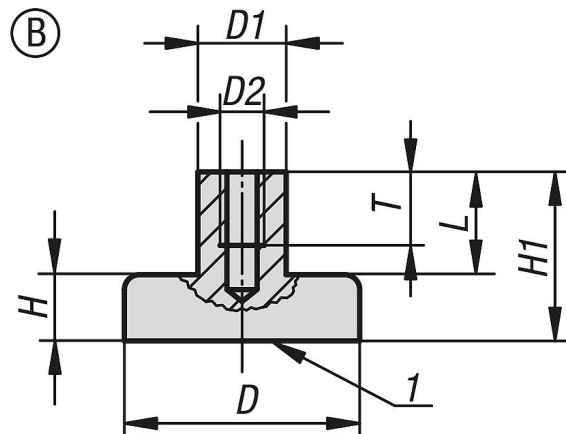
Temperature range:

max. 200°C.

Drawing reference:

1) magnetic face

Drawings



Overview of items

Order No.	Form	D	D1	D2	L	H	H1	T	Magnetic force N
09065-01	B	10 ±0,15	6	M3	7	4,5	11,5	5	4
09065-02	B	13 ±0,15	6	M3	7	4,5	11,5	5	10
09065-03	B	16 ±0,15	6	M3	7	4,5	11,5	5	18
09065-04	B	20 ±0,15	6	M3	7	6	13	5	30
09065-05	B	25 ±0,15	8	M4	8	7	15	6	40
09065-06	B	32 ±0,20	8	M4	8	7	15	6	80
09065-07	B	40 ±0,20	10	M5	10	8	18	8	125
09065-08	B	50 ±0,20	12	M6	12	10	22	10	220
09065-09	B	63 ±0,20	15	M8	16	14	30	14	350
09065-10	B	80 ±0,25	20	M10	16	18	34	14	600
09065-11	B	99 ±0,25	22	M12	20	22	42	17	900
09065-12	B	125 ±0,25	25	M14	24	26	50	20	1300

