

Item description/product images



Description

Material:

Steel.

Version:

Electro zinc-plated.

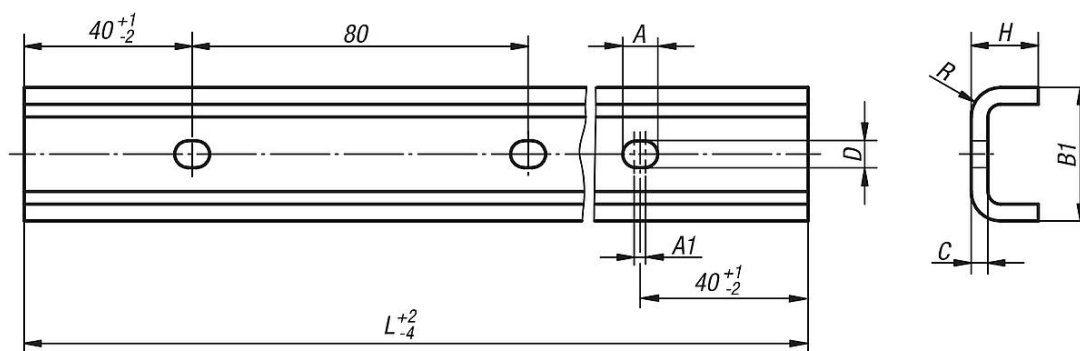
Note:

Stamped and rolled guide rails.

The fixed bearing rail is the main absorber of radial and axial forces. The floating bearing rail serves to absorb the load of radial forces and, in combination with the fixed bearing rail, as a support bearing for absorbing torques that occur. In the connection of the fixed and the floating bearings, the floating bearing rail compensates for parallelism errors and tolerances.

Drawings

roller guide rail for floating bearing



Overview of items

Order No.	Size	A	A1	B1	C	D	H	L	R
21320-230X0800	30	11	5	29,8	3	6	16	800	6
21320-230X1040	30	11	5	29,8	3	6	16	1040	6
21320-230X2080	30	11	5	29,8	3	6	16	2080	6
21320-230X3120	30	11	5	29,8	3	6	16	3120	6
21320-245X0800	45	11	2	43,8	4	9	24,5	800	9
21320-245X1040	45	11	2	43,8	4	9	24,5	1040	9
21320-245X2080	45	11	2	43,8	4	9	24,5	2080	9
21320-245X3120	45	11	2	43,8	4	9	24,5	3120	9