

Item description/product images



Description

Material:

Steel 1.0503 (C45).

Version:

Milled tothing, straight teeth.  
Engagement angle 20°, bright.

Note:

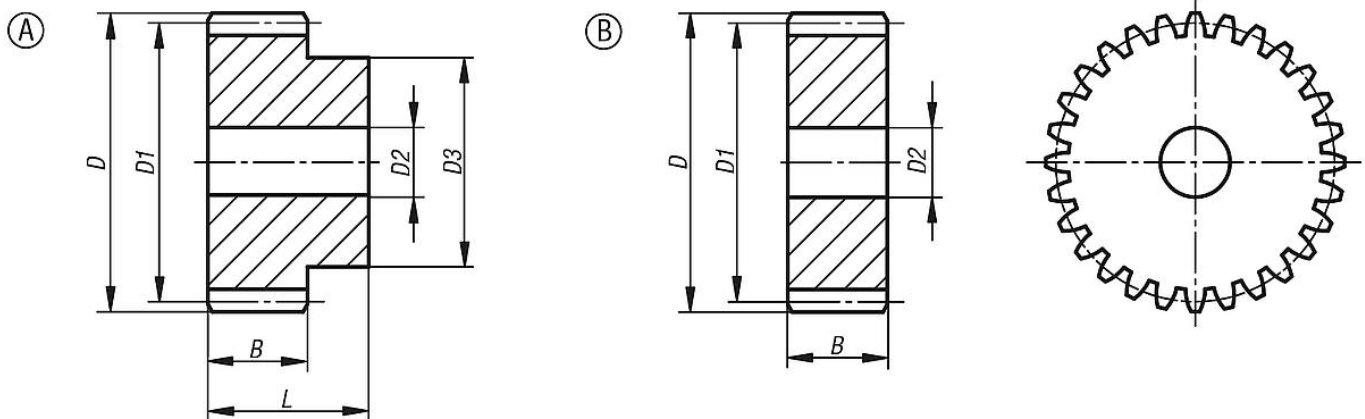
Up to 60 teeth with hub one side, from 65 teeth supplied as disc form. The spur gears have a centre bore or pilot hole (this can vary due to manufacturing methods). For this reason, the dimension D2 max. given in the table is the maximum diameter of the bore with which the spur gears are supplied. This pilot/centre bore can be amended by the customer to produce a reamed bore, reamed bore with keyway or a tapped hole. Alternatively, customers can also use bushes to reduce the bore diameter.

Drawing reference:

Form A: with hub

Form B: without hub

Drawings



Overview of items

Order No.	Form	No. of teeth	D	D1	D2 max.	D3	B	L
22400-0125250012	A	12	35	30	10	22	25	45
22400-0125250013	A	13	37,5	32,5	10	25	25	45
22400-0125250014	A	14	40	35	10	28	25	45
22400-0125250015	A	15	42,5	37,5	10	30	25	45
22400-0125250016	A	16	45	40	12	32	25	45
22400-0125250017	A	17	47,5	42,5	12	35	25	45
22400-0125250018	A	18	50	45	12	35	25	45
22400-0125250019	A	19	52,5	47,5	12	35	25	45
22400-0125250020	A	20	55	50	12	40	25	45
22400-0125250021	A	21	57,5	52,5	14	40	25	45
22400-0125250022	A	22	60	55	14	45	25	45
22400-0125250023	A	23	62,5	57,5	14	45	25	45
22400-0125250024	A	24	65	60	14	45	25	45
22400-0125250025	A	25	67,5	62,5	14	50	25	45
22400-0125250026	A	26	70	65	14	50	25	45
22400-0125250027	A	27	72,5	67,5	14	50	25	45

# 22400 Spur gears in steel, module 2.5 toothing milled, straight teeth, engagement angle 20°



## Overview of items

Order No.	Form	No. of teeth	D	D1	D2 max.	D3	B	L
22400-0125250028	A	28	75	70	14	50	25	45
22400-0125250029	A	29	77,5	72,5	14	50	25	45
22400-0125250030	A	30	80	75	14	55	25	45
22400-0125250031	A	31	82,5	77,5	20	55	25	45
22400-0125250032	A	32	85	80	20	55	25	45
22400-0125250033	A	33	87,5	82,5	20	55	25	45
22400-0125250034	A	34	90	85	20	55	25	45
22400-0125250035	A	35	92,5	87,5	20	60	25	45
22400-0125250036	A	36	95	90	20	60	25	45
22400-0125250037	A	37	97,5	92,5	20	60	25	45
22400-0125250038	A	38	100	95	20	60	25	45
22400-0125250039	A	39	102,5	97,5	20	60	25	45
22400-0125250040	A	40	105	100	20	70	25	45
22400-0125250041	A	41	107,5	102,5	20	70	25	45
22400-0125250042	A	42	110	105	20	70	25	45
22400-0125250043	A	43	112,5	107,5	20	70	25	45
22400-0125250044	A	44	115	110	20	70	25	45
22400-0125250045	A	45	117,5	112,5	20	70	25	45
22400-0125250046	A	46	120	115	20	70	25	45
22400-0125250047	A	47	122,5	117,5	20	80	25	45
22400-0125250048	A	48	125	120	20	80	25	45
22400-0125250049	A	49	127,5	122,5	20	80	25	45
22400-0125250050	A	50	130	125	20	80	25	45
22400-0125250051	A	51	132,5	127,5	20	80	25	45
22400-0125250052	A	52	135	130	20	90	25	45
22400-0125250053	A	53	137,5	132,5	20	90	25	45
22400-0125250054	A	54	140	135	20	90	25	45
22400-0125250055	A	55	142,5	137,5	20	90	25	45
22400-0125250056	A	56	145	140	20	100	25	45
22400-0125250057	A	57	147,5	142,5	20	100	25	45
22400-0125250058	A	58	150	145	20	100	25	45
22400-0125250059	A	59	152,5	147,5	20	100	25	45
22400-0125250060	A	60	155	150	20	100	25	45
22400-0225250065	B	65	167,5	162,5	20	-	25	-
22400-0225250070	B	70	180	175	20	-	25	-
22400-0225250072	B	72	185	180	20	-	25	-
22400-0225250075	B	75	192,5	187,5	20	-	25	-
22400-0225250076	B	76	195	190	20	-	25	-
22400-0225250080	B	80	205	200	25	-	25	-
22400-0225250085	B	85	217,5	212,5	25	-	25	-
22400-0225250090	B	90	230	225	25	-	25	-
22400-0225250095	B	95	242,5	237,5	25	-	25	-
22400-0225250100	B	100	255	250	25	-	25	-
22400-0225250110	B	110	280	275	25	-	25	-
22400-0225250114	B	114	290	285	25	-	25	-
22400-0225250120	B	120	305	300	25	-	25	-
22400-0225250127	B	127	322,5	317,5	25	-	25	-