

Item description/product images



Description

Material:

Plates, thermoplastic, fibreglass reinforced.
Anti-slip plate thermoplastic elastomer.

Version:

Black.

Note:

Levelling feet consist of a plate and a threaded spindle. Any plate can be combined with any threaded spindle.

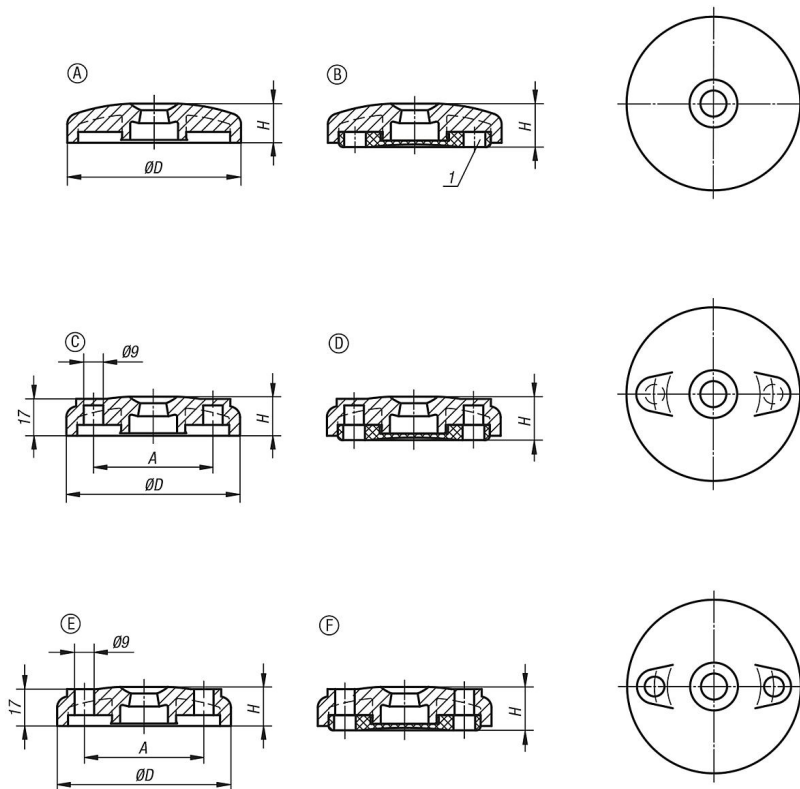
The anti-slip plate absorbs vibrations and prevents the levelling foot slipping.
For matching threaded spindles see 27828.

Drawing reference:

Form A without screw-on hole, without anti-slip plate
Form B without screw-on hole, with anti-slip plate
Form C with screw-on hole (closed), without anti-slip plate
Form D with screw-on hole (closed), with anti-slip plate
Form E with screw-on hole (open), without anti-slip plate
Form F with screw-on hole (open), with anti-slip plate

1) From plate $\varnothing 80$

Drawings



Overview of items

Order No.	Form	D	A	H	Load rating max. kN
27815-1060	A	60	-	18	12
27815-1080	A	80	-	18	12
27815-1100	A	100	-	18	12
27815-2060	B	60	-	20	12
27815-2080	B	80	-	20	12
27815-2100	B	100	-	20	12
27815-3080	C	80	55	18	12
27815-3100	C	100	74	18	12
27815-4080	D	80	55	20	12
27815-4100	D	100	74	20	12
27815-5080	E	80	55	18	12
27815-5100	E	100	74	18	12
27815-6080	F	80	55	20	12
27815-6100	F	100	74	20	12