

## Item description/product images

**Description****Material:**

Plates, stainless steel 1.4301.  
Core, thermoplastic PA.  
Rubber support TPE.

**Version:**

Plate bright.  
Rubber support light grey with sealing lip, hardness 70 Shore A.  
Temp. range -20°C to +100°C.

**Note:**

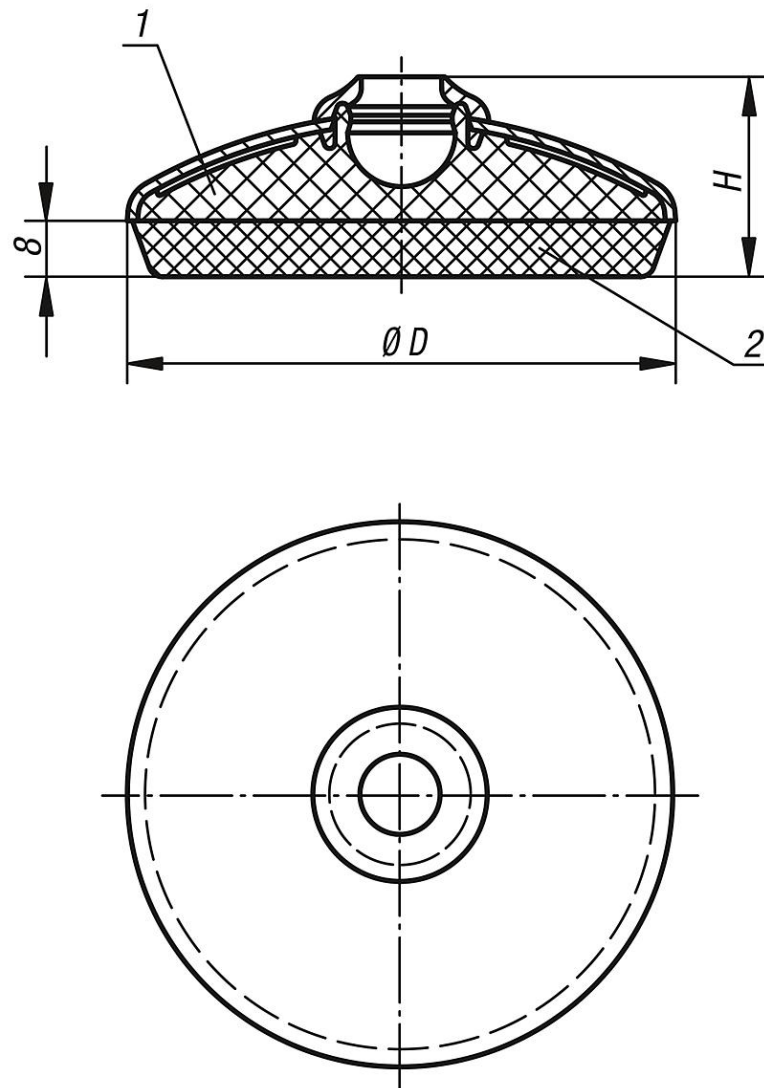
The rubber support is joined with the stainless steel plate and the PA core by injection moulding. The rubber support is resistant to oil and water (up to 60 °C). In addition, it is furnished with antibacterial and antimicrobial protection and is thus outstandingly suited for sectors in the foods industry.

Swivel feet consist of a plate and a threaded spindle or ball joint. Any plate can be combined with any threaded spindle or ball joint.  
For matching threaded spindles see 27810.  
For matching ball joints see 27811.

**Drawing reference:**

- 1) PA-core
- 2) rubber base

## Drawings



## Overview of items

Order No.	D	H	Load rating max. kN
27803-1060	58,5	29	7
27803-1080	78,5	29	7
27803-1100	98,5	29	7