

Item description/product images



Description

Material:

Plate die-cast zinc or stainless steel 1.4305.
Anti-slip plate thermoplastic elastomer.

Version:

Die-cast zinc plate, black powder-coated.
Stainless steel plate, bright.

Note:

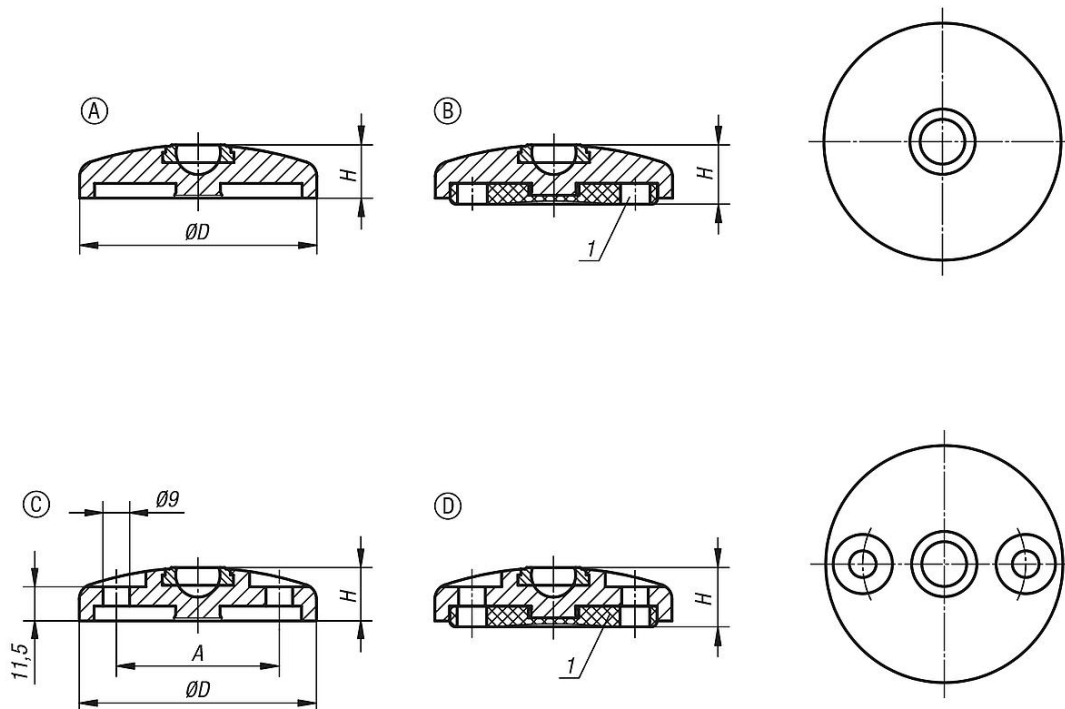
Swivel feet consist of a plate and a threaded spindle or ball joint. Any plate can be combined with any threaded spindle or ball joint. The anti-slip plate absorbs vibrations and prevents the swivel foot slipping.
For matching threaded spindles see 27810.
For matching ball joints see 27811.

Drawing reference:

Form A without screw-on hole, without anti-slip plate
Form B without screw-on hole, with anti-slip plate
Form C with screw-on hole (open), without anti-slip plate
Form D with screw-on hole (open), with anti-slip plate

1) From plate $\varnothing 80$

Drawings



Overview of items

| Order No. Form A | Order No. Form B | Main material | D | H | Load rating max. kN |
|------------------|------------------|---------------|----|-------|---------------------|
| 27801-10301 | 27801-20301 | zinc | 30 | 18/20 | 20 |
| 27801-10401 | 27801-20401 | zinc | 40 | 18/20 | 30 |
| 27801-10451 | 27801-20451 | zinc | 45 | 18/20 | 30 |

Overview of items

| Order No. Form A | Order No. Form B | Main material | D | H | Load rating max. kN |
|------------------|------------------|---------------|-----|-------|---------------------|
| 27801-10501 | 27801-20501 | zinc | 50 | 18/20 | 30 |
| 27801-10601 | 27801-20601 | zinc | 60 | 18/20 | 30 |
| 27801-10801 | 27801-20801 | zinc | 80 | 18/20 | 30 |
| 27801-11001 | 27801-21001 | zinc | 100 | 18/20 | 35 |
| 27801-11201 | 27801-21201 | zinc | 120 | 18/20 | 35 |

| Order No. Form C | Order No. Form D | Main material | D | A | H | Load rating max. kN |
|------------------|------------------|---------------|-----|----|-------|---------------------|
| 27801-30801 | 27801-40801 | zinc | 80 | 55 | 18/20 | 30 |
| 27801-31001 | 27801-41001 | zinc | 100 | 74 | 18/20 | 35 |
| 27801-31201 | 27801-41201 | zinc | 120 | 94 | 18/20 | 35 |

| Order No. Form A | Order No. Form B | Main material | D | H | Load rating max. kN |
|------------------|------------------|-----------------|-----|-------|---------------------|
| 27801-10302 | 27801-20302 | stainless steel | 30 | 18/20 | 20 |
| 27801-10402 | 27801-20402 | stainless steel | 40 | 18/20 | 30 |
| 27801-10452 | 27801-20452 | stainless steel | 45 | 18/20 | 30 |
| 27801-10502 | 27801-20502 | stainless steel | 50 | 18/20 | 35 |
| 27801-10602 | 27801-20602 | stainless steel | 60 | 18/20 | 35 |
| 27801-10802 | 27801-20802 | stainless steel | 80 | 18/20 | 35 |
| 27801-11002 | 27801-21002 | stainless steel | 100 | 18/20 | 40 |
| 27801-11202 | 27801-21202 | stainless steel | 120 | 18/20 | 40 |

| Order No. Form C | Order No. Form D | Main material | D | A | H | Load rating max. kN |
|------------------|------------------|-----------------|-----|----|-------|---------------------|
| 27801-30802 | 27801-40802 | stainless steel | 80 | 55 | 18/20 | 35 |
| 27801-31002 | 27801-41002 | stainless steel | 100 | 74 | 18/20 | 40 |
| 27801-31202 | 27801-41202 | stainless steel | 120 | 94 | 18/20 | 40 |