

Item description/product images



Description

Material:

Steel or 1.4305 stainless steel.

Stainless steel versions have Neoprene seals.

Version:

Trivalent passivated.

Stainless steel version bright.

Note:

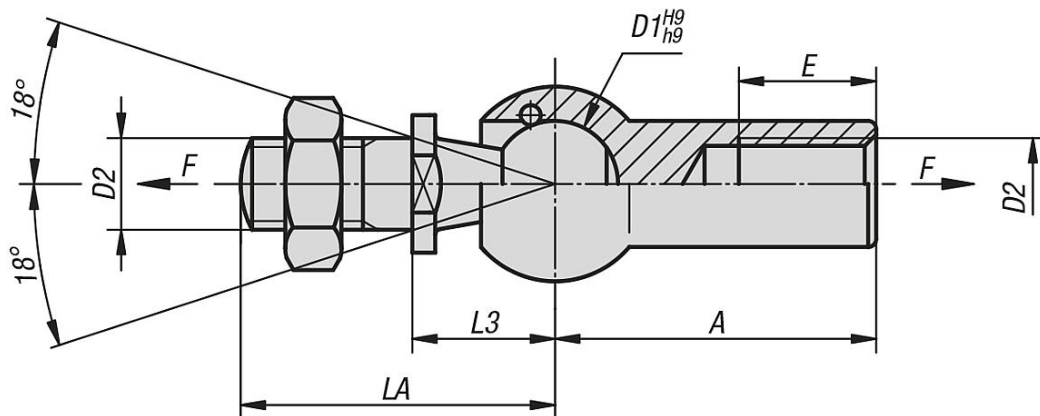
Protected against dust, dirt, water spray and vapour.

Applicable temperature range from -30 °C to +110 °C.

On request:

Axial joints with greater extraction force and left-hand thread available.

Drawings



Overview of items

| Order No. | Main material | D1 | D2 | A | LA | L3 | E | Extraction force F N |
|-----------|-----------------|----|---------|----|------|----|------|----------------------|
| 27665-08 | steel | 8 | M5 | 22 | 19,2 | 9 | 10,2 | 30 |
| 27665-10 | steel | 10 | M6 | 25 | 23,5 | 11 | 11,5 | 40 |
| 27665-13 | steel | 13 | M8 | 30 | 29,5 | 13 | 14 | 60 |
| 27665-16 | steel | 16 | M10 | 35 | 36 | 16 | 15,5 | 80 |
| 27665-19 | steel | 19 | M14x1,5 | 45 | 48 | 20 | 21,5 | 100 |
| 27665-108 | stainless steel | 8 | M5 | 22 | 19,2 | 9 | 10,2 | 30 |
| 27665-110 | stainless steel | 10 | M6 | 25 | 23,5 | 11 | 11,5 | 40 |
| 27665-113 | stainless steel | 13 | M8 | 30 | 29,5 | 13 | 14 | 60 |
| 27665-116 | stainless steel | 16 | M10 | 35 | 36 | 16 | 15,5 | 80 |