

## Item description/product images



## Description

**Material:**

Housing, cap in thermoplastic polyamide 66.  
Air filter (Form B only) in polyurethane (PU foam).  
O-ring in rubber (NBR).

**Version:**

Black housing. Red cap. Filter mesh 60 µm.

**Note:**

The removable cap allows easy cleaning of the air filter.

Form A: without air filter

Form B: with air filter

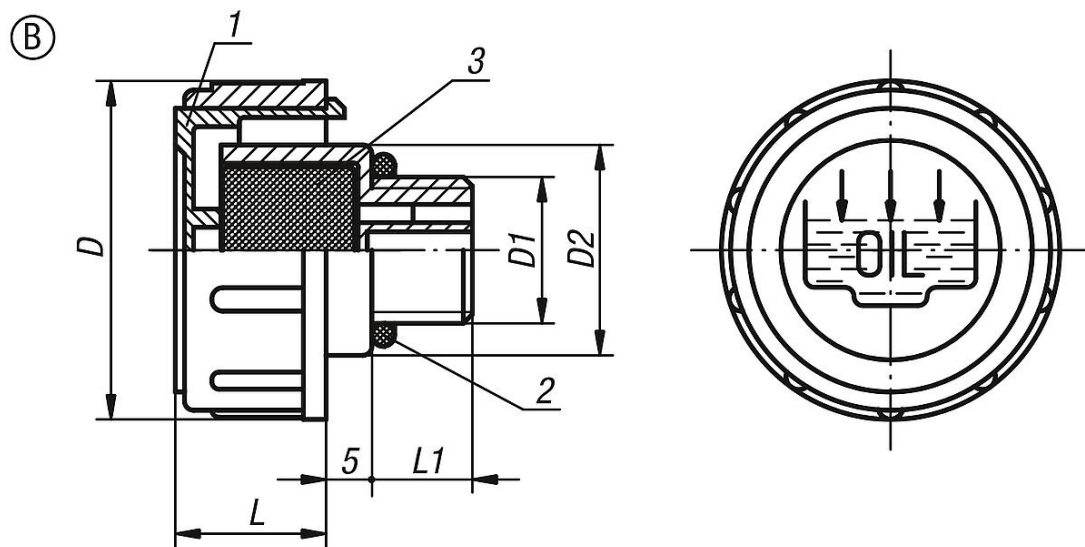
**Temperature range:**

Temperature resistant with oil up to 100°C.

**Drawing reference:**

- 1) cap
- 2) air filter
- 3) O-ring

## Drawings



## Overview of items

Order No.	Form	D	D1	D2	L	L1
28034-236038	B	36	G3/8	23	17	11
28034-241012	B	41	G1/2	28	18	12
28034-247034	B	47	G3/4	33	17	12
28034-252100	B	52	G1	38	20	12
28034-263114	B	63	G1 1/4	49	23	13
28034-263112	B	63	G1 1/2	55	23	13,5
28034-2361615	B	36	M16x1,5	23	17	11
28034-2411815	B	41	M18x1,5	28	17,5	12
28034-2412015	B	41	M20x1,5	28	17,5	12
28034-2412215	B	41	M22x1,5	28	17,5	12

