

## Item description/product images



## Description

**Material:**

Housing, cap in thermoplastic polyamide 66. Rubber O-ring (NBR).

**Version:**

Black housing, red cap.

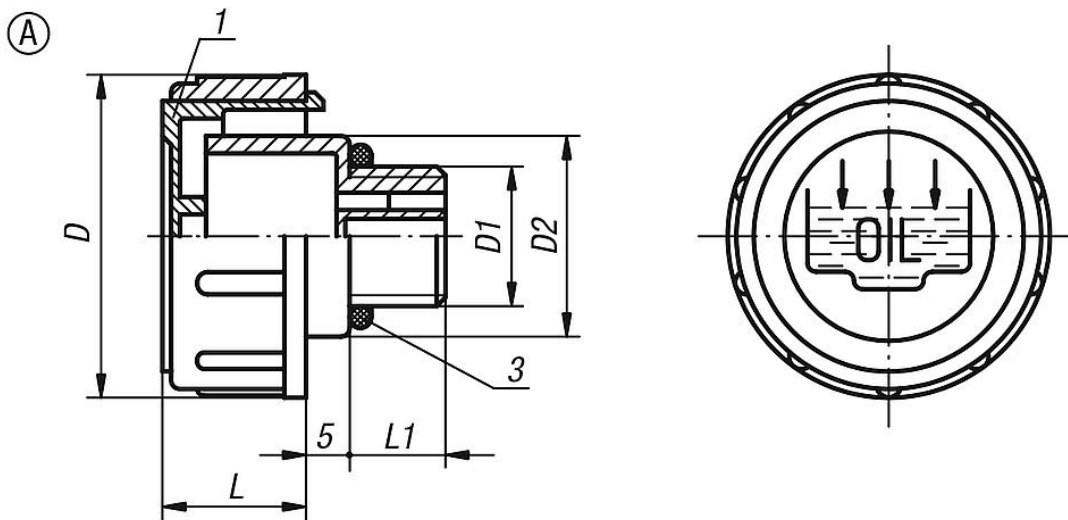
**Temperature range:**

Temperature resistant with oil up to 100°C.

**Drawing reference:**

- 1) cap
- 2) O-ring

## Drawings



## Overview of items

Order No.	Form	D	D1	D2	L	L1
28034-136038	A	36	G3/8	23	17	11
28034-141012	A	41	G1/2	28	18	12
28034-147034	A	47	G3/4	33	17	12
28034-152100	A	52	G1	38	20	12
28034-163114	A	63	G1 1/4	49	23	13
28034-163112	A	63	G1 1/2	55	23	13,5
28034-1361615	A	36	M16x1,5	23	17	11
28034-1411815	A	41	M18x1,5	28	17,5	12
28034-1412015	A	41	M20x1,5	28	17,5	12
28034-1412215	A	41	M22x1,5	28	17,5	12