

Item description/product images



Description

Material:

Electro zinc-plated steel.  
Polyamid PA 66 ball.

Note:

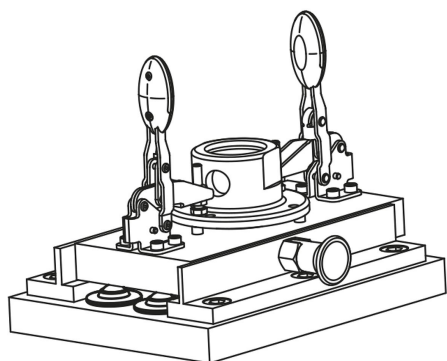
Ball transfer units with plastic balls are particularly suitable for transporting sensitive materials such as polished aluminium, brass and steel sheets or glass. They have a felt seal to protect against dirt.

Drawing reference:

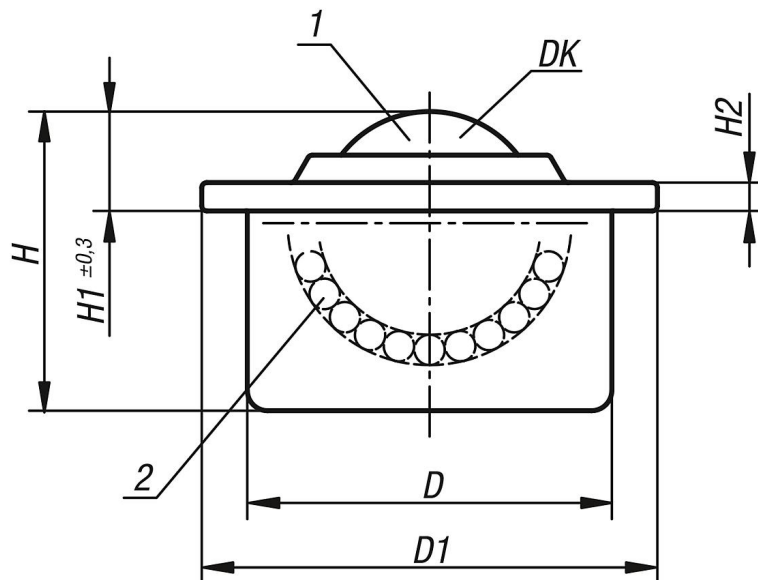
- 1) load ball
- 2) bearing balls

Form B: cap and housing electro zinc-plated, bearing balls steel.

Form C: cap and housing electro zinc-plated, bearing balls stainless steel



Drawings



Overview of items

Order No.	Form	DK	D	D1	H	H1	H2	Load rating C (N)	Suitable tolerance ring
95152-115	B	15,8	24±0,065	31	21	9,5	2,8	100	95164-024
95152-122	B	22,2	36±0,080	45	30	9,6	2,8	200	95164-036
95152-130	B	30	45±0,080	55	37	13,6	4	250	95164-045
95152-215	C	15,8	24±0,065	31	21	9,5	2,8	100	95164-024

## Overview of items

Order No.	Form	DK	D	D1	H	H1	H2	Load rating C (N)	Suitable tolerance ring
95152-222	C	22,2	36±0,080	45	30	9,6	2,8	200	95164-036
95152-230	C	30	45±0,080	55	37	13,6	4	250	95164-045