

## Item description/product images



## Description

**Material:**

Steel.  
Stainless steel 1.4305.  
Stainless steel 1.4404.  
Aluminium.

**Version:**

Steel black oxidised, screw steel 12.9.  
Stainless steel 1.4305 bright, screw stainless steel A2-70.  
Stainless steel 1.4404 bright, screw stainless steel A2-70.  
Aluminium bright, screw stainless steel A2-70.

**Note:**

One-piece shaft collars with an outer slit surround the shaft with an equal distribution of the clamping force. This leads to a very precise fit and high retaining force without damaging the shaft.

The shaft tolerance should lie within h11.

Due to the slit being on the outside of the shaft collar, up to 15% higher clamping forces can be achieved than with the version with slit on the inside. The bore remains cylindrical, thus precisely enclosing the shaft. Less imbalance.

The shaft collars made of A4 stainless steel have a small centre point mark on the OD.

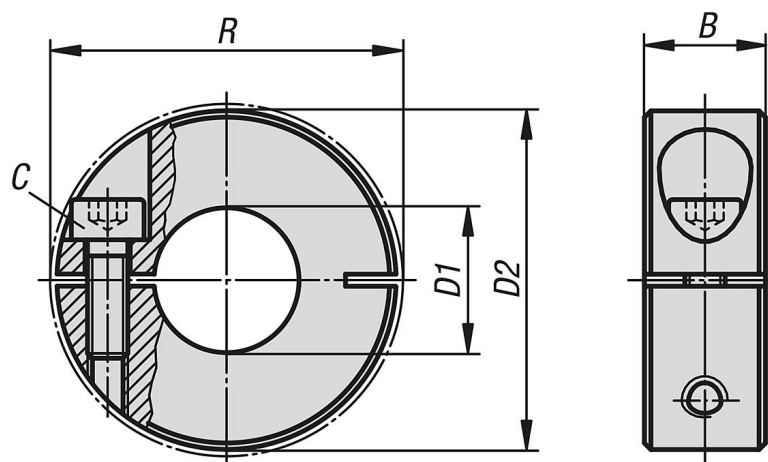
**Temperature range:**

-40 °C - +175 °C.

**On request:**

Other dimensions.

## Drawings



## Overview of items

Order No.	Form definition	Main material	Steel code	B	C (DIN 912)	D1	D2	R
07810-100401	slitted outside	steel	-	9	M3x8	4	16	20,7
07810-100501	slitted outside	steel	-	9	M3x8	5	16	20,7
07810-100601	slitted outside	steel	-	9	M3x8	6	16	20,7
07810-100801	slitted outside	steel	-	9	M3x8	8	18	22,4
07810-101001	slitted outside	steel	-	9	M3x10	10	24	26
07810-101201	slitted outside	steel	-	11	M4x12	12	28	31,8
07810-101501	slitted outside	steel	-	13	M5x16	15	34	39,4
07810-101601	slitted outside	steel	-	13	M5x16	16	34	39,4
07810-101801	slitted outside	steel	-	13	M5x16	18	36	41,1
07810-102001	slitted outside	steel	-	15	M6x18	20	40	46,4
07810-102201	slitted outside	steel	-	15	M6x18	22	42	48,1
07810-102501	slitted outside	steel	-	15	M6x18	25	45	50,8
07810-102801	slitted outside	steel	-	15	M6x18	28	48	53,7
07810-103001	slitted outside	steel	-	15	M6x18	30	54	58,6
07810-104001	slitted outside	steel	-	15	M6x18	40	60	65
07810-105001	slitted outside	steel	-	19	M8x25	50	78	87
07810-100402	slitted outside	stainless steel	1.4305	9	M3x8	4	16	20,7
07810-100502	slitted outside	stainless steel	1.4305	9	M3x8	5	16	20,7
07810-100602	slitted outside	stainless steel	1.4305	9	M3x8	6	16	20,7
07810-100802	slitted outside	stainless steel	1.4305	9	M3x8	8	18	22,4
07810-101002	slitted outside	stainless steel	1.4305	9	M3x10	10	24	26
07810-101202	slitted outside	stainless steel	1.4305	11	M4x12	12	28	31,8
07810-101502	slitted outside	stainless steel	1.4305	13	M5x16	15	34	39,4
07810-101602	slitted outside	stainless steel	1.4305	13	M5x16	16	34	39,4
07810-101802	slitted outside	stainless steel	1.4305	13	M5x16	18	36	41,1
07810-102002	slitted outside	stainless steel	1.4305	15	M6x18	20	40	46,4
07810-102202	slitted outside	stainless steel	1.4305	15	M6x18	22	42	48,1
07810-102502	slitted outside	stainless steel	1.4305	15	M6x18	25	45	50,8
07810-102802	slitted outside	stainless steel	1.4305	15	M6x18	28	48	53,7
07810-103002	slitted outside	stainless steel	1.4305	15	M6x18	30	54	58,6
07810-104002	slitted outside	stainless steel	1.4305	15	M6x18	40	60	65
07810-105002	slitted outside	stainless steel	1.4305	19	M8x25	50	78	87
07810-100404	slitted outside	stainless steel A4	1.4404	9	M3x8	4	16	20,7
07810-100504	slitted outside	stainless steel A4	1.4404	9	M3x8	5	16	20,7
07810-100604	slitted outside	stainless steel A4	1.4404	9	M3x8	6	16	20,7
07810-100804	slitted outside	stainless steel A4	1.4404	9	M3x8	8	18	22,4
07810-101004	slitted outside	stainless steel A4	1.4404	9	M3x10	10	24	26
07810-101204	slitted outside	stainless steel A4	1.4404	11	M4x12	12	28	31,8
07810-101504	slitted outside	stainless steel A4	1.4404	13	M5x16	15	34	39,4
07810-101604	slitted outside	stainless steel A4	1.4404	13	M5x16	16	34	39,4
07810-101804	slitted outside	stainless steel A4	1.4404	13	M5x16	18	36	41,1
07810-102004	slitted outside	stainless steel A4	1.4404	15	M6x18	20	40	46,4
07810-102204	slitted outside	stainless steel A4	1.4404	15	M6x18	22	42	48,1
07810-102504	slitted outside	stainless steel A4	1.4404	15	M6x18	25	45	50,8
07810-102804	slitted outside	stainless steel A4	1.4404	15	M6x18	28	48	53,7
07810-103004	slitted outside	stainless steel A4	1.4404	15	M6x18	30	54	58,6
07810-104004	slitted outside	stainless steel A4	1.4404	15	M6x18	40	60	65
07810-105004	slitted outside	stainless steel A4	1.4404	19	M8x25	50	78	87
07810-100403	slitted outside	aluminium	-	9	M3x8	4	16	20,7
07810-100503	slitted outside	aluminium	-	9	M3x8	5	16	20,7
07810-100603	slitted outside	aluminium	-	9	M3x8	6	16	20,7
07810-100803	slitted outside	aluminium	-	9	M3x8	8	18	22,4
07810-101003	slitted outside	aluminium	-	9	M3x10	10	24	26
07810-101203	slitted outside	aluminium	-	11	M4x12	12	28	31,8
07810-101503	slitted outside	aluminium	-	13	M5x16	15	34	39,4
07810-101603	slitted outside	aluminium	-	13	M5x16	16	34	39,4
07810-101803	slitted outside	aluminium	-	13	M5x16	18	36	41,1
07810-102003	slitted outside	aluminium	-	15	M6x18	20	40	46,4
07810-102203	slitted outside	aluminium	-	15	M6x18	22	42	48,1
07810-102503	slitted outside	aluminium	-	15	M6x18	25	45	50,8
07810-102803	slitted outside	aluminium	-	15	M6x18	28	48	53,7
07810-103003	slitted outside	aluminium	-	15	M6x18	30	54	58,6
07810-104003	slitted outside	aluminium	-	15	M6x18	40	60	65
07810-105003	slitted outside	aluminium	-	19	M8x25	50	78	87

