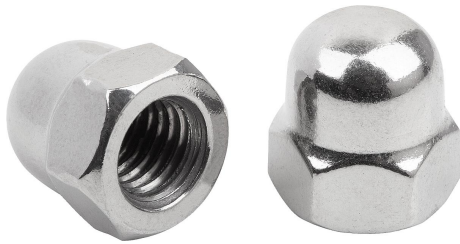


Item description/product images



Description

Material:

Steel, stainless steel A2 or stainless steel A4.

Version:

Steel grade 6, bright or electro zinc-plated

Stainless steel A2-70, bright

Stainless steel A4-70, bright

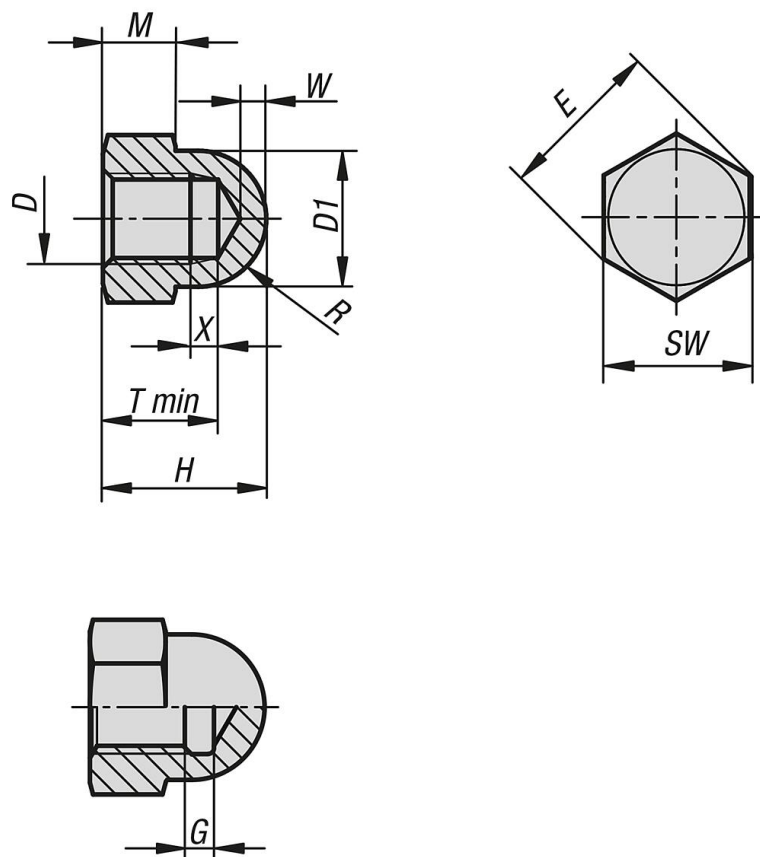
Note:

Cap nuts are mainly used for decorative screw connections. The cap nut covers and protects the thread end. They are also used to protect against sharp edges on machines, equipment, fitness equipment and wherever people or objects could be injured or damaged by an exposed thread end.

Technical data:

The design type, whether thread run-out or thread undercut, is at the discretion of the manufacturer irrespective of the thread size, as per DIN 1587:2021-10.

Drawings



Overview of items

Order No.	Main material	Surface finish body	D	D1	T min.	H	M	SW	E	R	W	X	G
07280-01-104	steel	bright	M4	6,5	5,26	8	3,2	7	7,66	3,25	2	1,4	-
07280-01-105	steel	bright	M5	7,5	7,21	10	4	8	8,79	3,75	2	1,6	-

Overview of items

Order No.	Main material	Surface finish body	D	D1	T min.	H	M	SW	E	R	W	X	G
07280-01-106	steel	bright	M6	9,5	7,71	12	5	10	11,05	4,75	2	2	-
07280-01-108	steel	bright	M8	12,5	10,65	15	6,5	13	14,38	6,25	2	2,4	-
07280-01-110	steel	bright	M10	15	12,65	18	8	17	18,9	7,5	2	3	-
07280-01-112	steel	bright	M12	17	15,65	22	10	19	21,1	8,5	3	-	6,4
07280-01-114	steel	bright	M14	20	17,65	25	11	22	23,9	10	4	-	7,3
07280-01-116	steel	bright	M16	23	20,58	28	13	24	26,76	11,5	4	-	7,3
07280-01-120	steel	bright	M20	28	25,58	34	16	30	32,95	14	5	-	9,3
07280-01-124	steel	bright	M24	34	30,5	42	19	36	39,6	17	6	-	10,7
07280-01-204	steel	galvanised	M4	6,5	5,26	8	3,2	7	7,66	3,25	2	1,4	-
07280-01-205	steel	galvanised	M5	7,5	7,21	10	4	8	8,79	3,75	2	1,6	-
07280-01-206	steel	galvanised	M6	9,5	7,71	12	5	10	11,05	4,75	2	2	-
07280-01-208	steel	galvanised	M8	12,5	10,65	15	6,5	13	14,38	6,25	2	2,4	-
07280-01-210	steel	galvanised	M10	15	12,65	18	8	17	18,9	7,5	2	3	-
07280-01-212	steel	galvanised	M12	17	15,65	22	10	19	21,1	8,5	3	-	6,4
07280-01-214	steel	galvanised	M14	20	17,65	25	11	22	23,9	10	4	-	7,3
07280-01-216	steel	galvanised	M16	23	20,58	28	13	24	26,76	11,5	4	-	7,3
07280-01-220	steel	galvanised	M20	28	25,58	34	16	30	32,95	14	5	-	9,3
07280-01-224	steel	galvanised	M24	34	30,5	42	19	36	39,6	17	6	-	10,7
07280-01-230	steel	galvanised	M30	44	39	50	24	46	50,9	22	7	-	12,7
07280-01-304	stainless steel A2	bright	M4	6,5	5,26	8	3,2	7	7,66	3,25	2	1,4	-
07280-01-305	stainless steel A2	bright	M5	7,5	7,21	10	4	8	8,79	3,75	2	1,6	-
07280-01-306	stainless steel A2	bright	M6	9,5	7,71	12	5	10	11,05	4,75	2	2	-
07280-01-308	stainless steel A2	bright	M8	12,5	10,65	15	6,5	13	14,38	6,25	2	2,4	-
07280-01-310	stainless steel A2	bright	M10	15	12,65	18	8	17	18,9	7,5	2	3	-
07280-01-312	stainless steel A2	bright	M12	17	15,65	22	10	19	21,1	8,5	3	-	6,4
07280-01-314	stainless steel A2	bright	M14	20	17,65	25	11	22	23,9	10	4	-	7,3
07280-01-316	stainless steel A2	bright	M16	23	20,58	28	13	24	26,76	11,5	4	-	7,3
07280-01-320	stainless steel A2	bright	M20	28	25,58	34	16	30	32,95	14	5	-	9,3
07280-01-324	stainless steel A2	bright	M24	34	30,5	42	19	36	39,6	17	6	-	10,7
07280-01-330	stainless steel A2	bright	M30	44	39	50	24	46	50,9	22	7	-	12,7
07280-01-404	stainless steel A4	bright	M4	6,5	5,26	8	3,2	7	7,66	3,25	2	1,4	-
07280-01-405	stainless steel A4	bright	M5	7,5	7,21	10	4	8	8,79	3,75	2	1,6	-
07280-01-406	stainless steel A4	bright	M6	9,5	7,71	12	5	10	11,05	4,75	2	2	-
07280-01-408	stainless steel A4	bright	M8	12,5	10,65	15	6,5	13	14,38	6,25	2	2,4	-
07280-01-410	stainless steel A4	bright	M10	15	12,65	18	8	17	18,9	7,5	2	3	-
07280-01-412	stainless steel A4	bright	M12	17	15,65	22	10	19	21,1	8,5	3	-	6,4
07280-01-414	stainless steel A4	bright	M14	20	17,65	25	11	22	23,9	10	4	-	7,3
07280-01-416	stainless steel A4	bright	M16	23	20,58	28	13	24	26,76	11,5	4	-	7,3
07280-01-420	stainless steel A4	bright	M20	28	25,58	34	16	30	32,95	14	5	-	9,3
07280-01-424	stainless steel A4	bright	M24	34	30,5	42	19	36	39,6	17	6	-	10,7