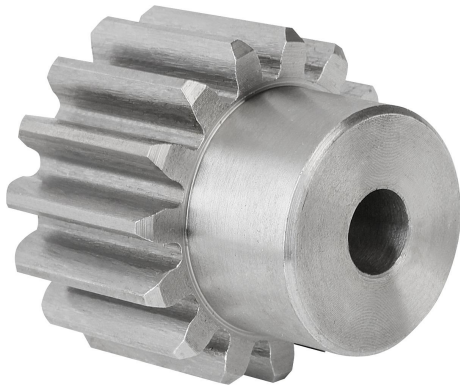


Item description/product images



Description

Material:

Steel 1.0503 (C45).

Version:

Milled tothing, straight teeth.
Engagement angle 20°, bright.

Note:

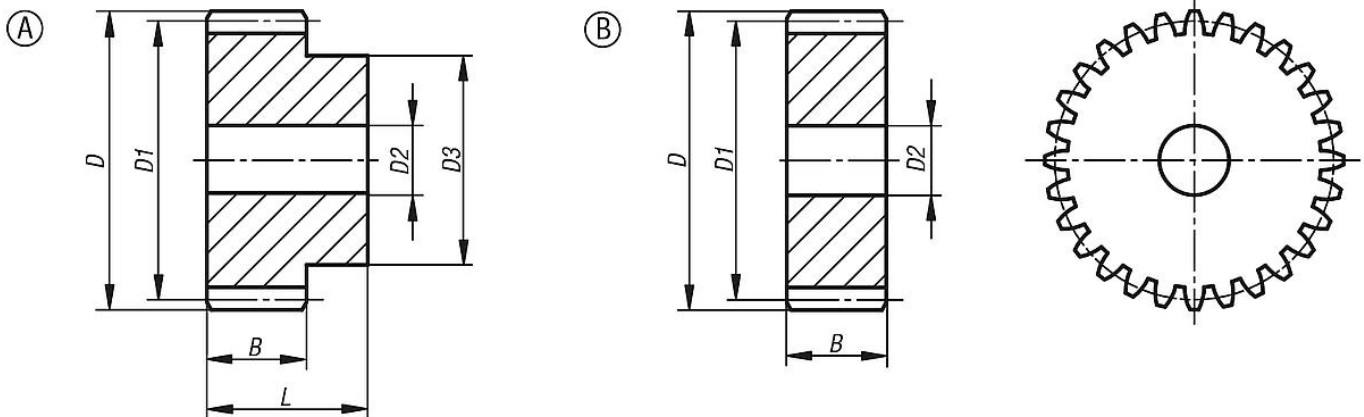
Up to 36 teeth with hub one side, from 38 teeth supplied as disc form. The spur gears have a centre bore or pilot hole (this can vary due to manufacturing methods). For this reason, the dimension D2 max. given in the table is the maximum diameter of the bore with which the spur gears are supplied. This pilot/centre bore can be amended by the customer to produce a reamed bore, reamed bore with keyway or a tapped hole. Alternatively, customers can also use bushes to reduce the bore diameter.

Drawing reference:

Form A: with hub

Form B: without hub

Drawings



Overview of items

Order No.	Form	B	D	D1	D2 max.	D3	L	Module	No. of teeth
22400-0140400012	A	40	56	48	14	35	60	4	12
22400-0140400013	A	40	60	52	14	40	60	4	13
22400-0140400014	A	40	64	56	14	45	60	4	14
22400-0140400015	A	40	68	60	14	45	60	4	15
22400-0140400016	A	40	72	64	16	50	60	4	16
22400-0140400017	A	40	76	68	16	50	60	4	17
22400-0140400018	A	40	80	72	16	50	60	4	18
22400-0140400019	A	40	84	76	16	60	60	4	19
22400-0140400020	A	40	88	80	16	60	60	4	20
22400-0140400021	A	40	92	84	16	70	60	4	21
22400-0140400022	A	40	96	88	16	70	60	4	22
22400-0140400023	A	40	100	92	20	75	60	4	23
22400-0140400024	A	40	104	96	20	75	60	4	24
22400-0140400025	A	40	108	100	20	75	60	4	25
22400-0140400026	A	40	112	104	20	75	60	4	26
22400-0140400027	A	40	116	108	20	75	60	4	27

Overview of items

Order No.	Form	B	D	D1	D2 max.	D3	L	Module	No. of teeth
22400-0140400028	A	40	120	112	20	75	60	4	28
22400-0140400029	A	40	124	116	20	75	60	4	29
22400-0140400030	A	40	128	120	20	75	60	4	30
22400-0140400031	A	40	132	124	20	80	60	4	31
22400-0140400032	A	40	136	128	20	80	60	4	32
22400-0140400033	A	40	140	132	20	80	60	4	33
22400-0140400034	A	40	144	136	20	80	60	4	34
22400-0140400035	A	40	148	140	20	80	60	4	35
22400-0140400036	A	40	152	144	25	80	60	4	36
22400-0240400038	B	40	160	152	25	-	-	4	38
22400-0240400040	B	40	168	160	25	-	-	4	40
22400-0240400045	B	40	188	180	25	-	-	4	45
22400-0240400048	B	40	200	192	25	-	-	4	48
22400-0240400050	B	40	208	200	25	-	-	4	50
22400-0240400052	B	40	216	208	25	-	-	4	52
22400-0240400055	B	40	228	220	25	-	-	4	55
22400-0240400057	B	40	236	228	25	-	-	4	57
22400-0240400060	B	40	248	240	25	-	-	4	60
22400-0240400065	B	40	268	260	25	-	-	4	65
22400-0240400070	B	40	288	280	25	-	-	4	70
22400-0240400075	B	40	308	300	25	-	-	4	75
22400-0240400076	B	40	312	304	30	-	-	4	76
22400-0240400080	B	40	328	320	30	-	-	4	80
22400-0240400085	B	40	348	340	30	-	-	4	85
22400-0240400090	B	40	368	360	30	-	-	4	90
22400-0240400095	B	40	388	380	30	-	-	4	95
22400-0240400100	B	40	408	400	30	-	-	4	100
22400-0240400110	B	40	448	440	30	-	-	4	110
22400-0240400114	B	40	464	456	30	-	-	4	114