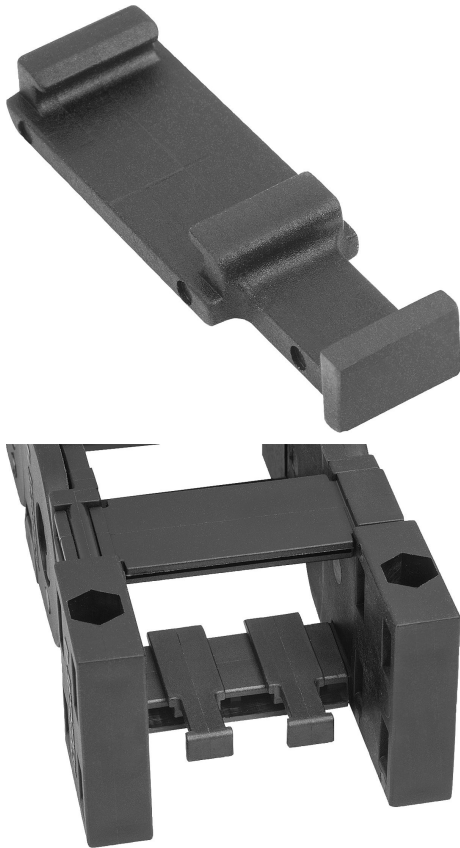


## Item description/product images



## Description

**Material:**

Polyamide fibreglass reinforced.

**Version:**

Black.

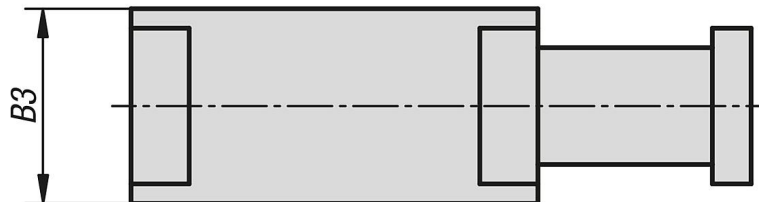
**Note:**

The tension relief can be clipped into the connecting element on the inner or outer radius. These fixate the position of the routed cables at the chain ends.

**Temperature range:**

-30°C to +125°C

## Drawings



## Overview of items

Order No.	B3	Suitable for
80850-23-25	10	80850-20-...