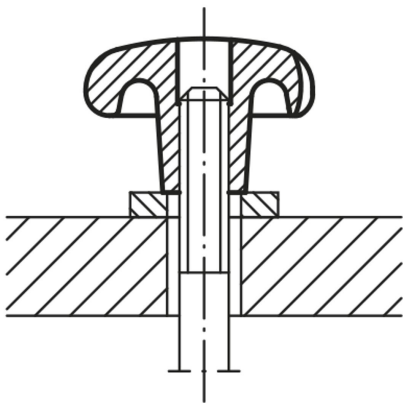


Item description/product images

INCH
Parts

Description

Material:

Grey cast iron GJL 200.

Version:

Vibratory ground.
Bright.

Note:

For the inch series, dimension D is in inches, all other dimensions are in mm.

On request:

Grips with a plastic coating.

Drawing reference:

Form A: blank

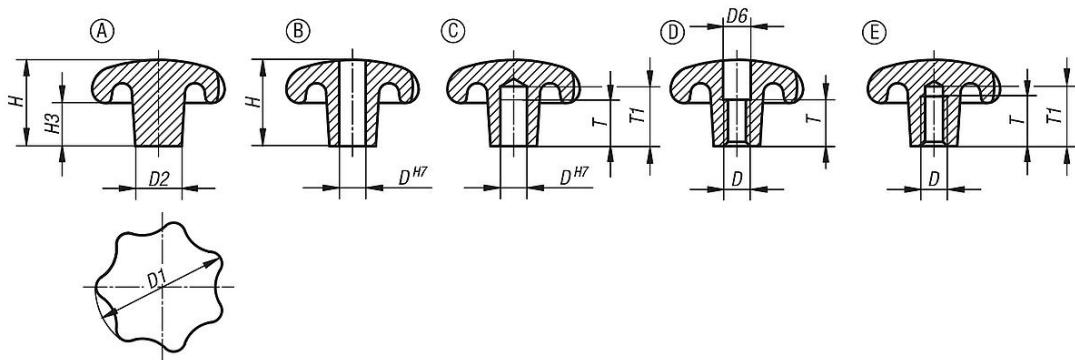
Form B: drilled through

Form C: blind hole

Form D: tapped and counterbored

Form E: tapped blind hole

Drawings



Overview of items

Star Grips gray cast iron DIN 6336, style B, inch

Order No.	Form	Surface finish body	D	D1	D2	H
06200-2CM	B	tumbled	0,25	32	12	20
06200-2CN	B	tumbled	0,312	40	14	25
06200-2CO	B	tumbled	0,375	50	18	32
06200-2CP	B	tumbled	0,5	63	20	40
06200-2CQ	B	tumbled	0,625	80	25	50

Star Grips gray cast iron DIN 6336, inch

Overview of items

Order No. Form C	Order No. Form D	Order No. Form E	Surface finish body	D	D1	D2	H	H3	T	T1
06200-3CM	06200-4A2	06200-5A2	tumbled	0,25 / 1/4-20 / 1/4-20	32	12	20	10	12/10/28	15/-/32
06200-3CN	06200-4A3	06200-5A3	tumbled	0,312 / 5/16-18 / 5/16-18	40	14	25	13	15/13/15	18/-/18
06200-3CO	06200-4A4	06200-5A4	tumbled	0,375 / 3/8-16 / 3/8-16	50	18	32	17	18/16/18	21/-/21
06200-3CP	06200-4A5	06200-5A5	tumbled	0,5 / 1/2-13 / 1/2-13	63	20	40	21	22/20/22	25/-/25
06200-3CQ	06200-4A6	06200-5A6	tumbled	0,625 / 5/8-11 / 5/8-11	80	25	50	25	28/20/28	32/-/32