

Item description/product images

INCH  
Parts



Description

Material:

Black thermoplastic.  
Bush and screw steel.

Version:

Bush and screw trivalent blue passivated.

Note:

For the inch series, dimension D is in inches, all other dimensions are in mm.

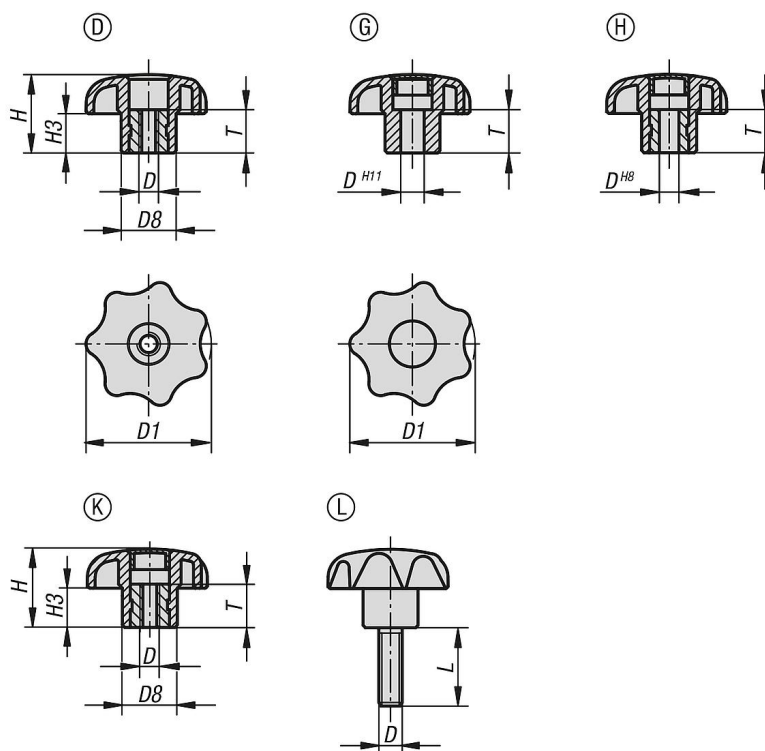
On request:

Other colours or designs, such as company logo.

Drawing reference:

Form D: tapped bush without cap  
Form G: drilled hole, no bush, with cap  
Form H: with reamed bush  
Form K: tapped bush with cap  
Form L: external thread

Drawings



Overview of items

Star Grips, similar to DIN 6336, internal thread, style D, inch

Order No.	Form	D	D1	D8	H	H3	T
06220-5AE	D	8-32	25	12	16	8	10
06220-5A1	D	10-32	25	12	16	8	10

## Overview of items

Order No.	Form	D	D1	D8	H	H3	T
06220-5A21	D	1/4-20	25	12	16	8	10
06220-5A11	D	10-32	32	14	20	10	10
06220-5A2	D	1/4-20	32	14	20	10	10
06220-5A3	D	5/16-18	40	18	25	13	14
06220-5A41	D	3/8-16	40	18	25	13	14
06220-5A31	D	5/16-18	50	22	32	17	14
06220-5A4	D	3/8-16	50	22	32	17	14
06220-5A51	D	1/2-13	50	22	32	17	18
06220-5A42	D	3/8-16	63	26	40	21	14
06220-5A5	D	1/2-13	63	26	40	21	18
06220-5A6	D	5/8-11	63	26	40	21	18

## Star Grips, similar to DIN 6336, drilled or reamed hole, style G and H, inch

Order No. Form G	Order No. Form H	D	D1	D8	H	H3	T
06220-3CLA	06220-1CLA	0,188	25	12	16	8	10
06220-3CMA	06220-1CMA	0,25	32	14	20	10	10
06220-3CNA	06220-1CNA	0,312	40	18	25	13	14
06220-3COA	06220-1COA	0,375	50	22	32	17	14
-	06220-1CO1A	0,375	63	26	40	21	14
06220-3CPA	06220-1CPA	0,5	63	26	40	21	18

## Star Grips, similar to DIN 6336, internal thread, style K, inch

Order No.	Form	D	D1	D8	H	H3	T
06220-2AEA	K	8-32	25	12	16	8	10
06220-2A1A	K	10-32	25	12	16	8	10
06220-2A21A	K	1/4-20	25	12	16	8	10
06220-2A11A	K	10-32	32	14	20	10	10
06220-2A2A	K	1/4-20	32	14	20	10	10
06220-2A3A	K	5/16-18	40	18	25	13	14
06220-2A41A	K	3/8-16	40	18	25	13	14
06220-2A31A	K	5/16-18	50	22	32	17	14
06220-2A4A	K	3/8-16	50	22	32	17	14
06220-2A51A	K	1/2-13	50	22	32	17	18
06220-2A42A	K	3/8-16	63	26	40	21	14
06220-2A5A	K	1/2-13	63	26	40	21	18
06220-2A6A	K	5/8-11	63	26	40	21	18

## Star Grips, similar to DIN 6336, external thread, style L, inch

Order No.	Form	D	D1	D8	H	H3	L
06220-4A1DX	L	10-32	25	12	16	8	10/20
06220-4A2DX	L	1/4-20	25	12	16	8	20/30
06220-4A21DX	L	1/4-20	32	14	20	10	20/30
06220-4A3DX	L	5/16-18	32	14	20	10	20/40
06220-4A31DX	L	5/16-18	40	18	25	13	20/40
06220-4A4DX	L	3/8-16	40	18	25	13	20/40
06220-4A41DX	L	3/8-16	50	22	32	17	20/40
06220-4A5DX	L	1/2-13	50	22	32	17	30/60
06220-4A42DX	L	3/8-16	63	26	40	21	20/40
06220-4A51DX	L	1/2-13	63	26	40	21	30