

Item description/product images

INCH
Parts



Description

Material:

Black thermoplastic.
Steel grade 5.8 or stainless steel 1.4305.

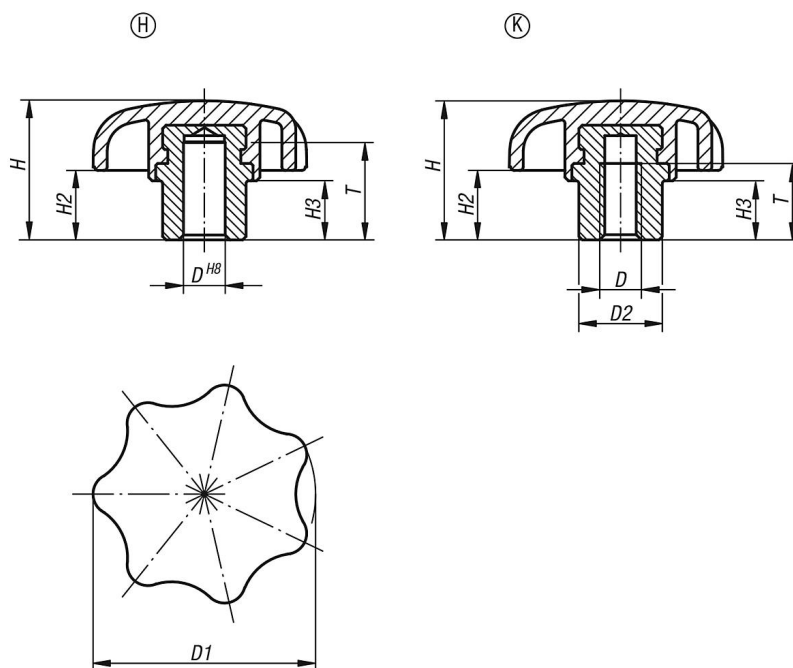
Version:

Metal parts trivalent blue passivated steel or bright stainless steel.

Note:

The projecting steel bush make these star grips particularly suitable for cross pinning or fixating with a grub screw.

Drawings



Overview of items

Star Grips, with plain steel bushing, style H, inch

Order No.	Form	Component material	D	D1	D2	H	H2	H3	T
06210-1CL	H	steel	0,188	25	10	16	8	6	9,5
06210-1CM	H	steel	0,25	32	13,5	21	11	9,5	12,5
06210-1CM1	H	steel	0,25	40	13,5	25	13	10	14
06210-1CN	H	steel	0,312	40	13,5	25	13	10	14
06210-1CN1	H	steel	0,312	50	19	32	17	12	18
06210-1CO	H	steel	0,375	50	19	32	17	12	18
06210-1CO1	H	steel	0,375	63	19	40	21	15	22
06210-1CP	H	steel	0,5	63	19	40	21	15	22
06210-1CQ	H	steel	0,625	63	23	40	21	15	22

Star Grips, with plain steel bushing, style K, inch

Overview of items

Order No.	Form	Component material	D	D1	D2	H	H2	H3	T
06210-2A1	K	steel	10-32	25	10	16	8	6	8,5
06210-2A2	K	steel	1/4-20	32	13,5	21	11	9,5	12
06210-2A21	K	steel	1/4-20	40	13,5	25	13	10	14
06210-2A3	K	steel	5/16-18	40	13,5	25	13	10	14
06210-2A31	K	steel	5/16-18	50	19	32	17	12	18
06210-2A4	K	steel	3/8-16	50	19	32	17	12	18
06210-2A41	K	steel	3/8-16	63	19	40	21	15	22
06210-2A5	K	steel	1/2-13	63	19	40	21	15	22
06210-2A6	K	steel	5/8-11	63	23	40	21	15	22