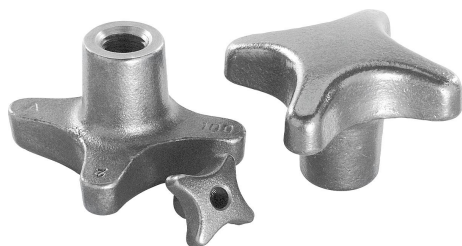


Item description/product images

INCH
Parts



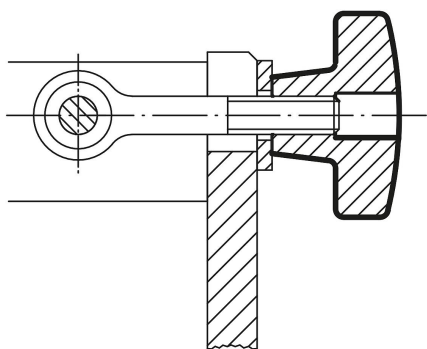
Description

Material:
Grey cast iron GJL 200.

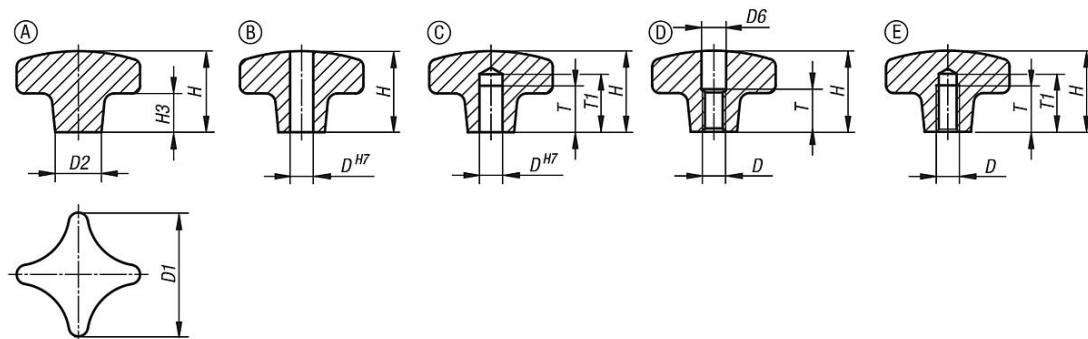
Version:
Vibratory ground.
Bright.

Note:
For the inch series, dimension D is in inches, all other dimensions are in mm.

Drawing reference:
Form A: blank
Form B: drilled through
Form C: blind hole
Form D: tapped and counterbored
Form E: tapped blind hole



Drawings



Overview of items

| Order No. | Form | Surface finish body | D | D1 | D2 | D6 | H | H3 | T1 |
|-----------|------|---------------------|---------|-----|----|----|----|----|----|
| 06160-2CM | B | tumbled | 0,25 | 32 | 12 | - | 20 | 10 | - |
| 06160-2CN | B | tumbled | 0,312 | 40 | 14 | - | 25 | 14 | - |
| 06160-2CO | B | tumbled | 0,375 | 50 | 18 | - | 32 | 20 | - |
| 06160-2CP | B | tumbled | 0,5 | 63 | 20 | - | 40 | 25 | - |
| 06160-2CQ | B | tumbled | 0,625 | 80 | 25 | - | 50 | 30 | - |
| 06160-2CR | B | tumbled | 0,75 | 100 | 32 | - | 63 | 38 | - |
| 06160-3CM | C | tumbled | 0,25 | 32 | 12 | - | 21 | 10 | 15 |
| 06160-3CN | C | tumbled | 0,312 | 40 | 14 | - | 26 | 14 | 18 |
| 06160-3CO | C | tumbled | 0,375 | 50 | 18 | - | 34 | 20 | 21 |
| 06160-3CP | C | tumbled | 0,5 | 63 | 20 | - | 42 | 25 | 25 |
| 06160-3CQ | C | tumbled | 0,625 | 80 | 25 | - | 52 | 30 | 32 |
| 06160-3CR | C | tumbled | 0,75 | 100 | 32 | - | 65 | 38 | 40 |
| 06160-5A2 | E | tumbled | 1/4-20 | 32 | 12 | - | 21 | 10 | 15 |
| 06160-5A3 | E | tumbled | 5/16-18 | 40 | 14 | - | 26 | 14 | 18 |
| 06160-5A4 | E | tumbled | 3/8-16 | 50 | 18 | - | 34 | 20 | 21 |
| 06160-5A5 | E | tumbled | 1/2-13 | 63 | 20 | - | 42 | 25 | 25 |

Overview of items

| Order No. | Form | Surface finish body | D | D1 | D2 | D6 | H | H3 | T1 |
|-----------|------|------------------------|--------|-----|----|----|----|----|----|
| 06160-5A6 | E | tumbled | 5/8-11 | 80 | 25 | - | 52 | 30 | 32 |
| 06160-5A7 | E | tumbled | 3/4-10 | 100 | 32 | - | 65 | 38 | 40 |