

## Item description/product images



## Description

## Material:

Stainless steel 1.4308.

## Version:

Ground and polished.

## Note:

For the inch series, dimension D is in inches, all other dimensions are in mm.

## On request:

With external thread.

## Drawing reference:

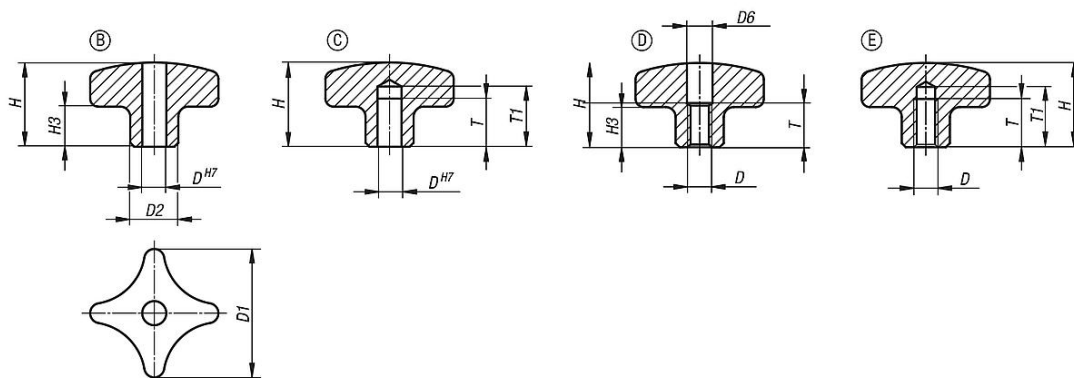
Form B: drilled through

Form C: blind hole

Form D: tapped and counterbored

Form E: tapped blind hole

## Drawings



## Overview of items

## Palm Grips similar to DIN 6335, stainless steel, inch

Order No. Form B	Order No. Form C	Surface finish body	D	D1	D2	H	H3	T	T1
06158-2032CM2	06158-3032CM2	polished	0,25	32	12	21	10	-/12	-/15
06158-2040CN2	06158-3040CN2	polished	0,312	40	14	26	13	-/15	-/18
06158-2050C02	06158-3050C02	polished	0,375	50	18	34	17	-/18	-/21
06158-2063CP2	06158-3063CP2	polished	0,5	63	20	42	21	-/22	-/25

## Palm Grips similar to DIN 6335, stainless steel, inch

Order No. Form D	Order No. Form E	Surface finish body	D	D1	D2	D6	H	H3	T	T1
06158-4032A22	06158-5032A22	polished	1/4-20	32	12	6,4/-	21	10	11/12	-/15
06158-4040A32	06158-5040A32	polished	5/16-18	40	14	8,4/-	26	13	14/15	-/18
06158-4050A42	06158-5050A42	polished	3/8-16	50	18	10,5/-	34	17	18	-/21
06158-4063A52	06158-5063A52	polished	1/2-13	63	20	13/-	42	21	22	-/25

