

Item description/product images

INCH
Parts

Description

Material:

Grip thermoplastic.

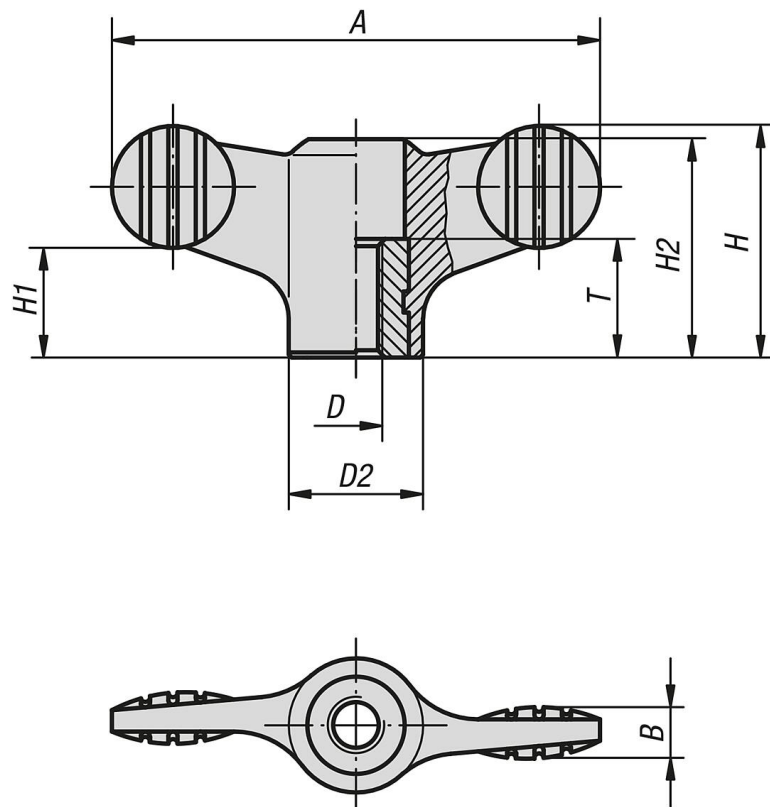
Bush steel 5.8 or stainless steel 1.4305.

Version:

Grip black grey.

Bush trivalent blue passivated steel or bright stainless steel.

Drawings



Overview of items

Order No.	Component material	A	B	D	D2	H	H1	H2	T
06652-19AE	steel	38	4,5	8-32	12	18	8,5	16,1	-
06652-19A1	steel	38	4,5	10-32	12	18	8,5	16,1	-
06652-19A2	steel	38	4,5	1/4-20	12	18	8,5	16,1	-
06652-11A1	steel	50	5	10-32	14	24	11,5	22	-
06652-11A2	steel	50	5	1/4-20	14	24	11,5	22	-
06652-12A3	steel	75	7	5/16-18	21	35,6	17	33,3	-
06652-12A4	steel	75	7	3/8-16	21	35,6	17	33,3	-
06652-109AE	stainless steel	38	4,5	8-32	12	18	8,5	16,1	-
06652-109A1	stainless steel	38	4,5	10-32	12	18	8,5	16,1	-
06652-109A2	stainless steel	38	4,5	1/4-20	12	18	8,5	16,1	-
06652-101A1	stainless steel	50	5	10-32	14	24	11,5	22	-
06652-101A2	stainless steel	50	5	1/4-20	14	24	11,5	22	-

Overview of items

Order No.	Component material	A	B	D	D2	H	H1	H2	T
06652-102A3	stainless steel	75	7	5/16-18	21	35,6	17	33,3	-
06652-102A4	stainless steel	75	7	3/8-16	21	35,6	17	33,3	-