

## Item description/product images



## Description

**Material:**

Stainless steel 1.4308.

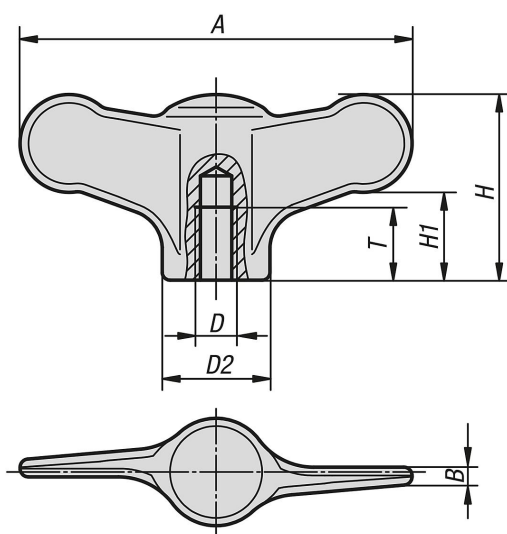
**Version:**

Abrasive blasted or ground and polished.

**On request:**

With external threads.

## Drawings



## Overview of items

Order No.	Main colour	A	B	D	D2	H	H1	T
06651-9AE	polished	38	1,7	8-32	10,5	18	8,5	9
06651-9A1	polished	38	1,7	10-32	10,5	18	8,5	9
06651-9A2	polished	38	1,7	1/4-20	10,5	18	8,5	9
06651-1A0	polished	50	2,3	10-24	14	24	11,5	10
06651-1A1	polished	50	2,3	10-32	14	24	11,5	12
06651-1A2	polished	50	2,3	1/4-20	14	24	11,5	10
06651-2A3	polished	75	3,4	5/16-18	21	35	16,5	14
06651-2A4	polished	75	3,4	3/8-16	21	35	16,5	14
06651-9AE1	blasted	38	1,7	8-32	10,5	18	8,5	9
06651-9A11	blasted	38	1,7	10-32	10,5	18	8,5	9
06651-9A21	blasted	38	1,7	1/4-20	10,5	18	8,5	9
06651-1A01	blasted	50	2,3	10-24	14	24	11,5	12
06651-1A11	blasted	50	2,3	10-32	14	24	11,5	12
06651-1A21	blasted	50	2,3	1/4-20	14	24	11,5	12
06651-2A31	blasted	75	3,4	5/16-18	21	35	16,5	15
06651-2A41	blasted	75	3,4	3/8-16	21	35	16,5	15

