

Item description/product images

INCH
Parts

Description

Material:

Black thermoplastic.

Bush grade 5.8 steel or 1.4305 stainless steel.

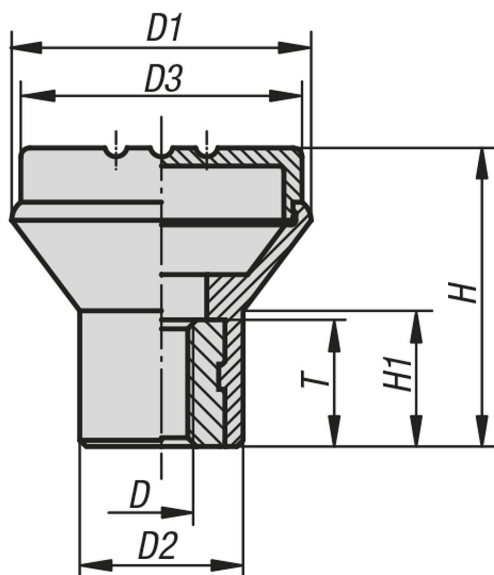
Version:

Steel trivalent blue passivated, stainless steel bright.

Item description/product images



Drawings



Overview of items

Order No.	Component material	Colour Cap	D	D1	D2	D3	H	H1	T
06241-OAE6	stainless steel	traffic red RAL 3020	8-32	21	13	19	21	10	10
06241-OAE	stainless steel	black grey RAL 7021	8-32	21	13	19	21	10	10
06241-OAE7	stainless steel	colza yellow RAL 1021	8-32	21	13	19	21	10	10
06241-OAE5	stainless steel	light grey RAL 7035	8-32	21	13	19	21	10	10
06241-OA1	stainless steel	black grey RAL 7021	10-32	21	13	19	21	10	10
06241-OA15	stainless steel	light grey RAL 7035	10-32	21	13	19	21	10	10
06241-OA16	stainless steel	traffic red RAL 3020	10-32	21	13	19	21	10	10
06241-OA17	stainless steel	colza yellow RAL 1021	10-32	21	13	19	21	10	10
06241-OA27	stainless steel	colza yellow RAL 1021	1/4-20	25	14	23	25	12	10
06241-OA25	stainless steel	light grey RAL 7035	1/4-20	25	14	23	25	12	10
06241-OA2	stainless steel	black grey RAL 7021	1/4-20	25	14	23	25	12	10
06241-OA26	stainless steel	traffic red RAL 3020	1/4-20	25	14	23	25	12	10
06241-OA36	stainless steel	traffic red RAL 3020	5/16-18	33	18	31	33	15	14
06241-OA35	stainless steel	light grey RAL 7035	5/16-18	33	18	31	33	15	14
06241-OA3	stainless steel	black grey RAL 7021	5/16-18	33	18	31	33	15	14
06241-OA37	stainless steel	colza yellow RAL 1021	5/16-18	33	18	31	33	15	14
06241-AE	steel	black grey RAL 7021	8-32	21	13	19	21	10	10

Overview of items

Order No.	Component material	Colour Cap	D	D1	D2	D3	H	H1	T
06241-AE5	steel	light grey RAL 7035	8-32	21	13	19	21	10	10
06241-AE6	steel	traffic red RAL 3020	8-32	21	13	19	21	10	10
06241-AE7	steel	colza yellow RAL 1021	8-32	21	13	19	21	10	10
06241-A17	steel	colza yellow RAL 1021	10-32	21	13	19	21	10	10
06241-A16	steel	traffic red RAL 3020	10-32	21	13	19	21	10	10
06241-A1	steel	black grey RAL 7021	10-32	21	13	19	21	10	10
06241-A15	steel	light grey RAL 7035	10-32	21	13	19	21	10	10
06241-A2	steel	black grey RAL 7021	1/4-20	25	14	23	25	12	10
06241-A25	steel	light grey RAL 7035	1/4-20	25	14	23	25	12	10
06241-A27	steel	colza yellow RAL 1021	1/4-20	25	14	23	25	12	10
06241-A26	steel	traffic red RAL 3020	1/4-20	25	14	23	25	12	10
06241-A35	steel	light grey RAL 7035	5/16-18	33	18	31	33	15	14
06241-A36	steel	traffic red RAL 3020	5/16-18	33	18	31	33	15	14
06241-A3	steel	black grey RAL 7021	5/16-18	33	18	31	33	15	14
06241-A37	steel	colza yellow RAL 1021	5/16-18	33	18	31	33	15	14