

Item description/product images

INCH  
Parts



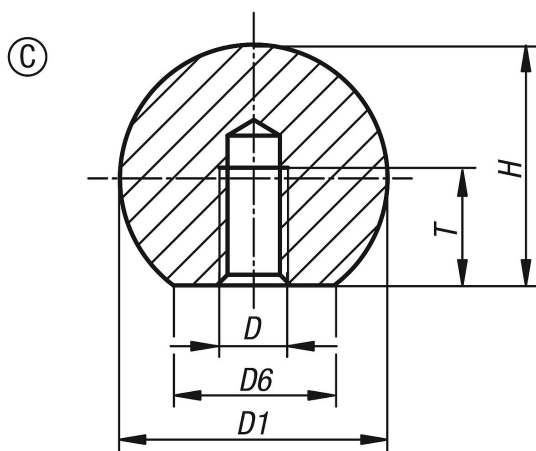
Description

**Material:**  
Aluminium.

**Version:**  
Polished.

**Drawing reference:**  
Form C: thread

Drawings



Overview of items

Order No.	Form	Form definition	Main material	Steel code	D	D1	D6	H	T
06247-116AE3	C	with internal thread	aluminium	-	8-32	16	8	15	7,2
06247-120A13	C	with internal thread	aluminium	-	10-32	20	12	18	9,1
06247-125A23	C	with internal thread	aluminium	-	1/4-20	25	15	22,5	11
06247-132A33	C	with internal thread	aluminium	-	5/16-18	32	18	29	14,5
06247-140A43	C	with internal thread	aluminium	-	3/8-16	40	22	37	18
06247-150A53	C	with internal thread	aluminium	-	1/2-13	50	28	46	21