

Item description/product images



Description

Material:

Steel.

Stainless steel 1.4305.

Version:

Stainless steel bright.

Note:

The following thread lengths have no undercut:

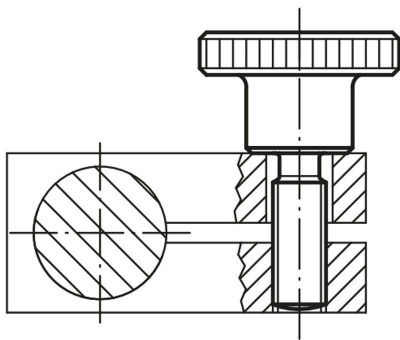
D = 8-32 / M4 = L=20;

D = 10-24 / M5 = L=20;

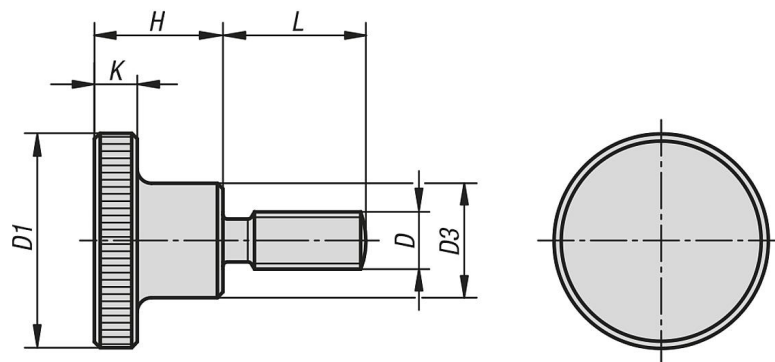
D = 1/4-20 / M6 = L=25;

D = M8 = L=30;

D = M10 = L=40



Drawings



Overview of items

Order No.	Main material	D	D1	D3	H	K	L
06090-AEX10	steel	8-32	16	8	9,5	3,5	10
06090-AEX16	steel	8-32	16	8	9,5	3,5	16
06090-AEX20	steel	8-32	16	8	9,5	3,5	20
06090-AOX10	steel	10-24	20	10	11,5	4	10

Overview of items

Order No.	Main material	D	D1	D3	H	K	L
06090-A0X16	steel	10-24	20	10	11,5	4	16
06090-A0X20	steel	10-24	20	10	11,5	4	20
06090-A1X10	steel	10-32	20	10	11,5	4	10
06090-A1X16	steel	10-32	20	10	11,5	4	16
06090-A1X20	steel	10-32	20	10	11,5	4	20
06090-A2X10	steel	1/4-20	24	12	15	5	10
06090-A2X16	steel	1/4-20	24	12	15	5	16
06090-A2X20	steel	1/4-20	24	12	15	5	20
06090-A2X25	steel	1/4-20	24	12	15	5	25
06090-A3X16	steel	5/16-18	30	16	18	6	16
06090-A3X20	steel	5/16-18	30	16	18	6	20
06090-A3X25	steel	5/16-18	30	16	18	6	25
06090-A4X20	steel	3/8-16	36	20	23	8	20
06090-A4X25	steel	3/8-16	36	20	23	8	25
06090-AE2X10	stainless steel	8-32	16	8	9,5	3,5	10
06090-AE2X16	stainless steel	8-32	16	8	9,5	3,5	16
06090-AE2X20	stainless steel	8-32	16	8	9,5	3,5	20
06090-A02X10	stainless steel	10-24	20	10	11,5	4	10
06090-A02X16	stainless steel	10-24	20	10	11,5	4	16
06090-A02X20	stainless steel	10-24	20	10	11,5	4	20
06090-A12X10	stainless steel	10-32	20	10	11,5	4	10
06090-A12X16	stainless steel	10-32	20	10	11,5	4	16
06090-A12X20	stainless steel	10-32	20	10	11,5	4	20
06090-A22X10	stainless steel	1/4-20	24	12	15	5	10
06090-A22X16	stainless steel	1/4-20	24	12	15	5	16
06090-A22X20	stainless steel	1/4-20	24	12	15	5	20
06090-A22X25	stainless steel	1/4-20	24	12	15	5	25
06090-A32X16	stainless steel	5/16-18	30	16	18	6	16
06090-A32X20	stainless steel	5/16-18	30	16	18	6	20
06090-A32X25	stainless steel	5/16-18	30	16	18	6	25
06090-A42X20	stainless steel	3/8-16	36	20	23	8	20
06090-A42X25	stainless steel	3/8-16	36	20	23	8	25