

Item description/product images



Description

Material:

Polyamide.
Screw, steel.

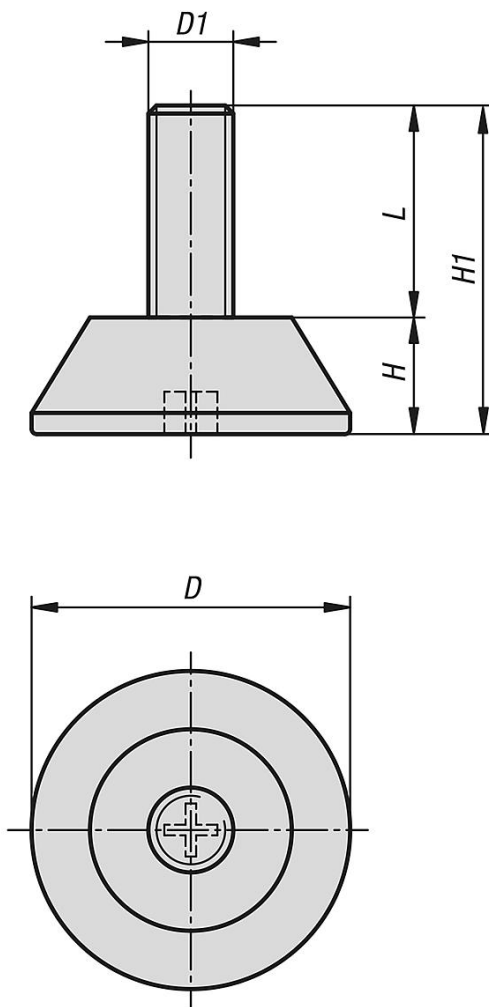
Version:

Black.
Screw electro zinc-plated.

Note:

Levelling feet with cross slot in the base as assembly aid.
Rigid version.

Drawings



Overview of items

Order No.	D	D1	H	H1	L	Load rating max. kN (static load only)
27794-3006X020	30	M6	11	31	20	3
27794-3006X030	30	M6	11	41	30	3
27794-3008X016	30	M8	11	27	16	3

Overview of items

Order No.	D	D1	H	H1	L	Load rating max. kN (static load only)
27794-3008X020	30	M8	11	31	20	3
27794-3008X025	30	M8	11	36	25	3
27794-3008X030	30	M8	11	41	30	3
27794-3008X040	30	M8	11	51	40	3
27794-3010X025	30	M10	11	36	25	3
27794-3010X030	30	M10	11	41	30	3
27794-3010X035	30	M10	11	46	35	3
27794-4708X016	47	M8	11	27	16	4
27794-4708X020	47	M8	11	31	20	4
27794-4708X030	47	M8	11	41	30	4
27794-4708X040	47	M8	11	51	40	4
27794-4710X020	47	M10	11	31	20	4
27794-4710X030	47	M10	11	41	30	4
27794-4710X055	47	M10	11	66	55	4