

Item description/product images



Description

Material:

Sleeve 1.4305.
Thrust pin 1.4034.
Spring 1.4310.

Version:

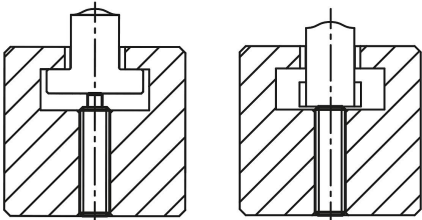
Bright.
Thrust pin hardened.

Note:

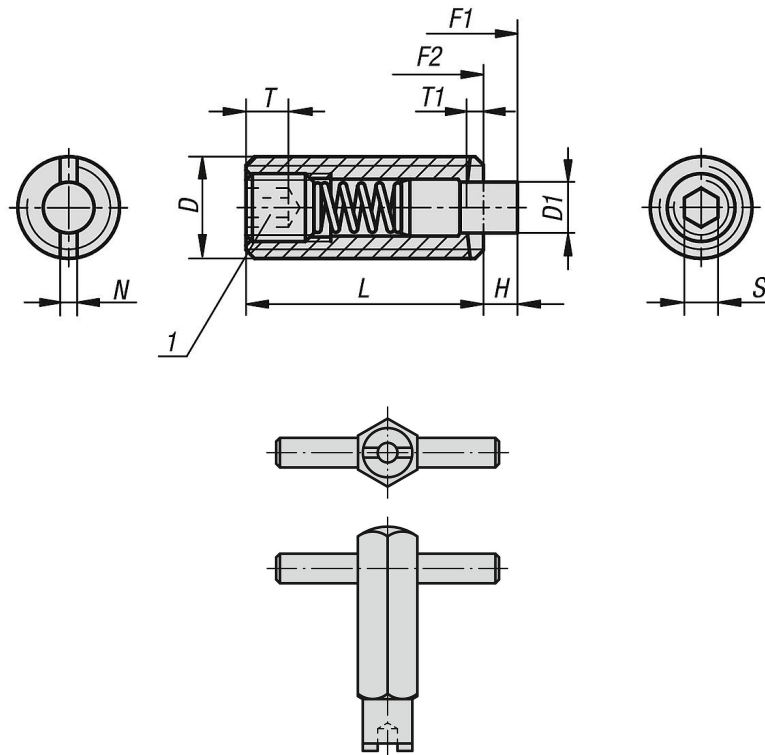
These spring plungers are chiefly used as ejectors and spring stops in machine construction.
The thrust pin is actuated in the axial direction.

Drawing reference:

1) grub screw glued in



Drawings



Overview of items

Order No.	D	D1	H	L	T1	N	S	Spring force initial pressure F1 approx. N	Spring force final pressure F2 approx. N	Order No. Assembly key
03055-01-05	M5	2,4	2,3	18	0,8	0,8	1,5	5	17	03040-905
03055-01-06	M6	2,7	2,5	20	1	1	2	6	17	03040-906
03055-01-08	M8	3,5	3	22	1,4	1,2	2,5	7	29	03040-908
03055-01-10	M10	4	3	22	1,4	1,6	3	8	31	03040-910
03055-01-12	M12	6	4	28	2	2	4	10	47	03040-912
03055-01-16	M16	7,5	5	32	2,5	2,5	5	38	85	03040-916