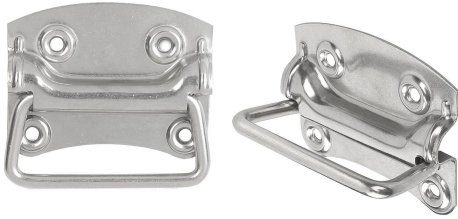


Item description/product images



Description

Material:

Stainless steel 1.4301.

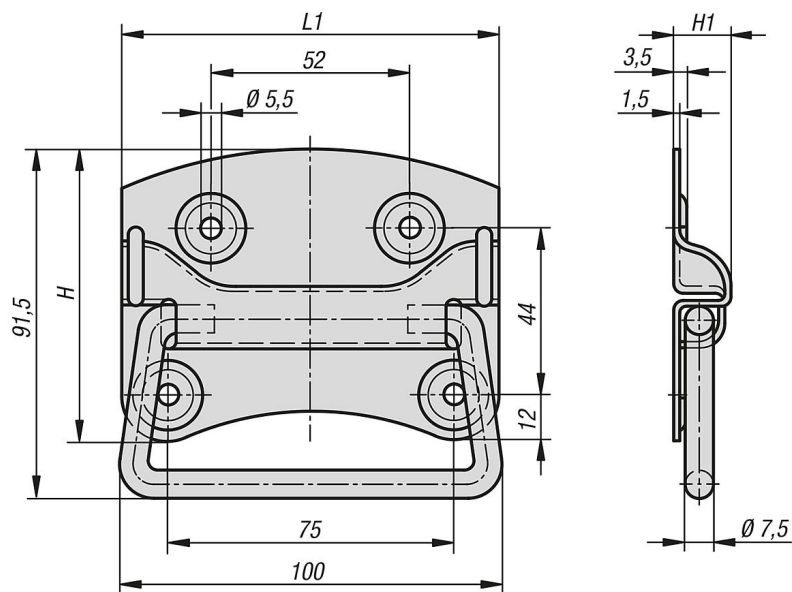
Version:

Bright.

Applications:

Crates, chests, lids.

Drawings



Overview of items

Order No.	H	H1	L1	Load capacity N
06970-01-100	77	14	100	500