

Item description/product images



Description

Material:

Steel.

Version:

DIN EN ISO 4017 hex head bolt , grade 8.8, black.

DIN EN ISO 4762 cap screw grade 8.8, black.

Clamping ball bright.

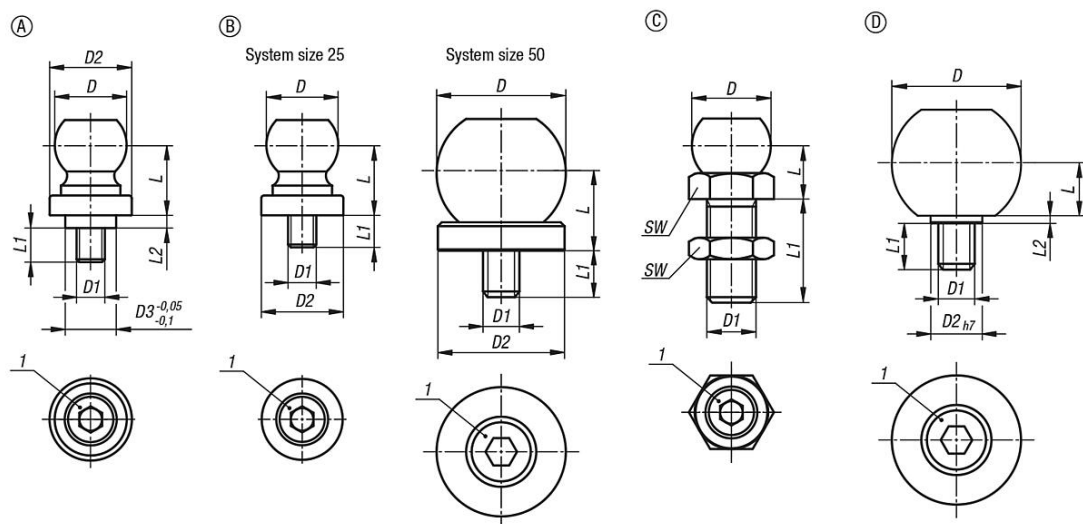
Note:

The clamping balls enable flexible connections between the workpiece and the workpiece stabiliser. The clamping balls provide a high degree of freedom on the workpiece.

Drawing reference:

1) DIN EN ISO 4762 cap screw

Drawings



Overview of items

Order No.	Form	Size	D	D1	D2	D3	L	L1	L2	SW
02408-125	A	25	25,4	M10	29	18	25	12,2	4,5	-
02408-225	B	25	25,4	M10	29	-	25	11	-	-
02408-250	B	50	50	M16	49	-	30	20,5	-	-
02408-3251240	C	25	25,4	M12	-	-	17,3	40	-	18
02408-3251640	C	25	25,4	M16	-	-	19,8	40	-	24
02408-3252050	C	25	25,4	M20	-	-	22,3	50	-	30
02408-3252450	C	25	25,4	M24	-	-	24,8	50	-	36
02408-3502450	C	50	50	M24	-	-	34,5	50	-	36
02408-3503060	C	50	50	M30	-	-	34,5	60	-	46
02408-3503670	C	50	50	M36	-	-	34,5	70	-	55
02408-450	D	50	50	M16	25	-	20	18	3,5	-

