

## Item description/product images



## Description

**Material:**

Aluminium.

Grub screw stainless steel A2.

**Version:**

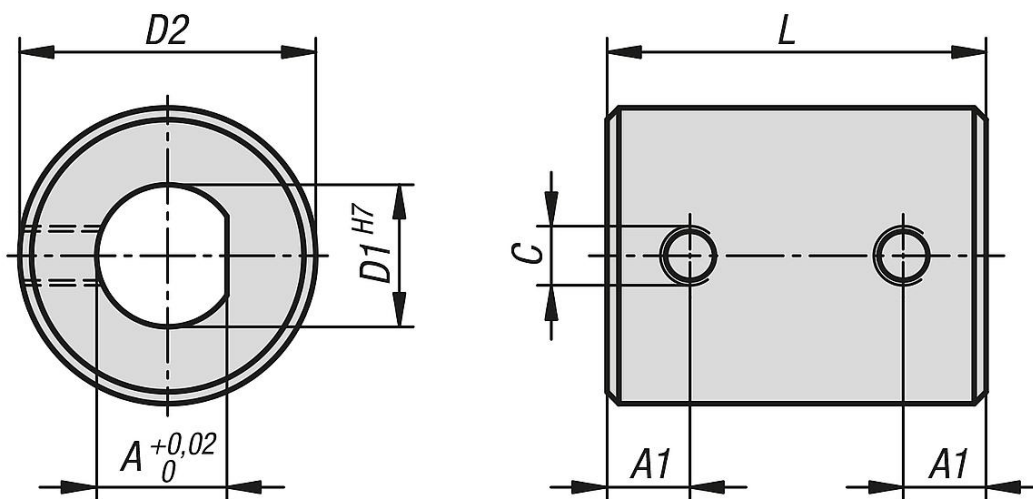
Bright.

**Note:**

Shaft collars together with flat milled shafts can safely transfer very high torques without damaging the shaft.

The shaft tolerance should be within h7.

## Drawings



## Overview of items

Order No.	A	A1	C	D1	D2	L
07815-05	4	5	M4x5	5	17	24
07815-06	5	5	M4x5	6	17	24
07815-10	9	7	M5x6	10	25	32
07815-12	11	7	M5x6	12	25	32
07815-16	14	8	M6x8	16	34	40
07815-18	16	8	M6x8	18	34	40
07815-20	18	10	M6x10	20	45	45
07815-22	20	10	M6x10	22	45	45
07815-25	22	10	M8x12	25	50	48