



Description

Material:

Steel version:
 Indexing pin hardened:
 Threaded sleeve and indexing pin free-cutting steel

Stainless steel version:
 Indexing pin hardened:
 Threaded sleeve 1.4305
 Indexing pin 1.4034.

Mushroom knob black grey thermoplastic.
 Thread lock blue polyamide.

Version:

Steel version:
 indexing pin hardened, ground and black oxidised.

Stainless steel version:
 indexing pin hardened, ground and bright.

Note:

Indexing plungers are used to prevent any change in locking position due to lateral forces. A new locking position can only be set after the pin has been manually disengaged. Form CP is recommended for applications where the plunger remains disengaged over a long period and the pin should be prevented from springing back. The thread lock enables the plunger to be screwed in to the exact depth required, no spacer ring is required. The thread lock is a gripping polyamide coating that is applied punctiform (spot).

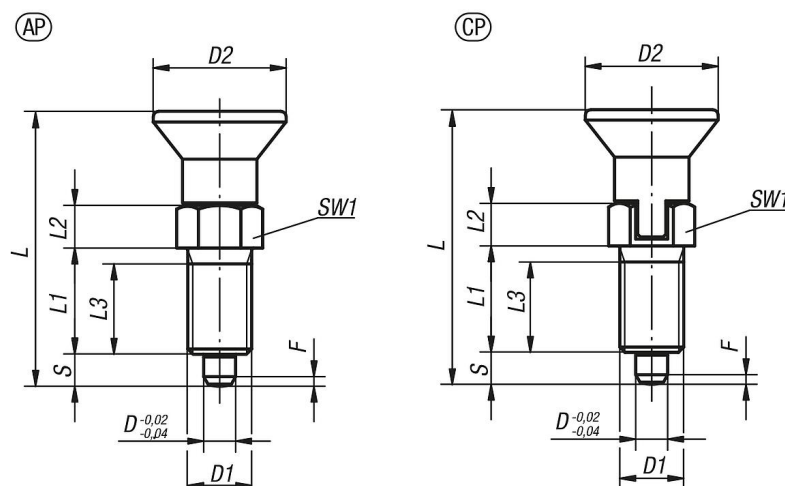
On request:

Special versions.

Drawing reference:

Form AP: non-lockout type, without locknut
 Form CP: lockout type, without locknut

Drawings



Indexing plungers, with thread lock, steel, indexing pin hardened

Order No. Form AP	Order No. Form CP	D	D1	D2	L	L1	L2	L3	Travel S	SW1	Fx30°	Spring force initial pressure F1 approx. N	Spring force final pressure F2 approx. N
03089-91903	03089-93903	3	M6x0,75	14	31,5	12	5	10	3,5	8	0,8	4,5	10
03089-91004	03089-93004	4	M8x1	18	38,5	15	6	13	4	10	1	6	12
03089-91105	03089-93105	5	M10x1	21	43,5	17	7	15	5	13	1,3	5	12
03089-91206	03089-93206	6	M12x1,5	25	51,7	20	8	17	6	14	1,8	6	14
03089-91308	03089-93308	8	M16x1,5	33	68	26	10	23	8	19	2,3	15	35
03089-91410	03089-93410	10	M20x1,5	33	74	28	12	25	10	22	2,8	15	34
03089-91412	03089-93412	12	M20x1,5	33	78	28	14	25	12	22	2,8	15	39
03089-91516	03089-93516	16	M24x2	40	96	32	18	28	16	27	3,2	20	46

Indexing plungers, with thread lock, stainless steel, indexing pin hardened

Order No. Form AP	Order No. Form CP	D	D1	D2	L	L1	L2	L3	Travel S	SW1	Fx30°	Spring force initial pressure F1 approx. N	Spring force final pressure F2 approx. N
03089-091903	03089-093903	3	M6x0,75	14	31,5	12	5	10	3,5	8	0,8	4,5	10
03089-091004	03089-093004	4	M8x1	18	38,5	15	6	13	4	10	1	6	12
03089-091105	03089-093105	5	M10x1	21	43,5	17	7	15	5	13	1,3	5	12
03089-091206	03089-093206	6	M12x1,5	25	51,7	20	8	17	6	14	1,8	6	14
03089-091308	03089-093308	8	M16x1,5	33	68	26	10	23	8	19	2,3	15	35
03089-091410	03089-093410	10	M20x1,5	33	74	28	12	25	10	22	2,8	15	34
03089-091412	03089-093412	12	M20x1,5	33	78	28	14	25	12	22	2,8	15	39
03089-091516	03089-093516	16	M24x2	40	96	32	18	28	16	27	3,2	20	46