

Item description/product images

**Description****Material:**

Shaft stainless-steel.
Housing plastic.
Cable sheath PVC.

Version:

Housing black.
Flat connector, 8-pole, 1x pin.
Cable bend radius, > 17 mm (fixed).

Note:

For speeds ≤ 600 rpm.
Simple assembly for hollow shafts up to max. 20 mm.
Plug-in connection to position indicators 21700 and 21702.
The sensor is supplied with operating voltage and draws current via the electronics.
The resolution and measuring range are dependent on the electronics.

Technical data:

- Rotative sensor
- Magnetic scanning via a magnet wheel with 18 poles each 5 mm
- Rating IP 65; EN60529

Temperature range:

- Ambient temperature 0–60°C
- Storage temperature -10–70°C

Assembly:

Installation must be carried out according to the enclosed user information.

Accessory:

Position indicators 21700 and 21702.
Reducer sleeves 21740.

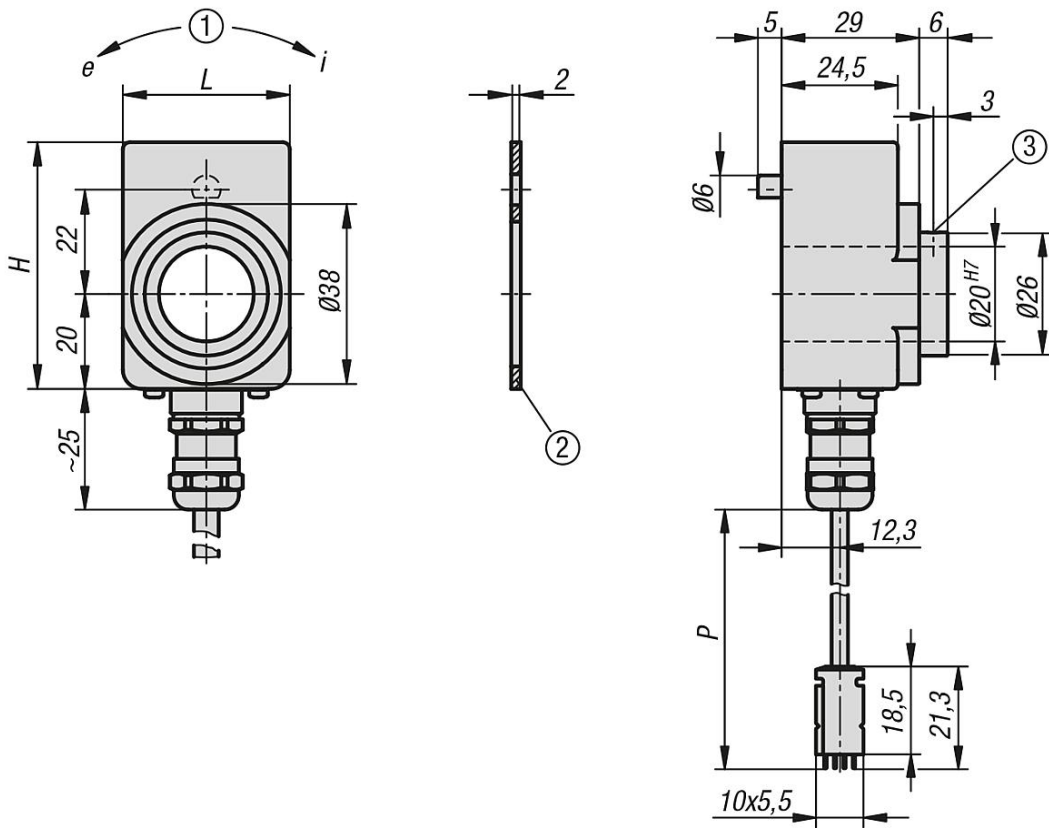
Note:

Dewing is not permissible.

Drawing reference:

- 1) Direction of rotation
- 2) Sealing plate
- 3) Grub screw, M3 (2x120)

Drawings



Overview of items

Order No.	H	L	P
21730-0500	52	35,2	500
21730-1000	52	35,2	1000
21730-2000	52	35,2	2000