

Item description/product images



Description

Product description:

When manufacturing a hydraulic or pneumatic aggregate, auxiliary holes are needed for the production process, e.g. so that all the channels required for the respective application can be precisely drilled into the workpiece. These auxiliary holes must be absolutely tightly sealed again and be able to withstand extremely high pressure so that the component can function properly later on.

Material:

Sleeve: case-hardening steel 1.0403.

Ball: ball-bearing steel.

Version:

Sleeve: electro zinc-plated.

Ball: tempered.

Note:

Sealing plugs are used to seal holes in fluid technology - e.g. auxiliary holes in hydraulic units - quickly, securely and cost-effectively.

These seals have a serrated sleeve that expands when the ball is pressed in, expanding the component until the bore is sealed and anchoring itself in the base material. This creates a tight metallic seal that can withstand the highest pressure.

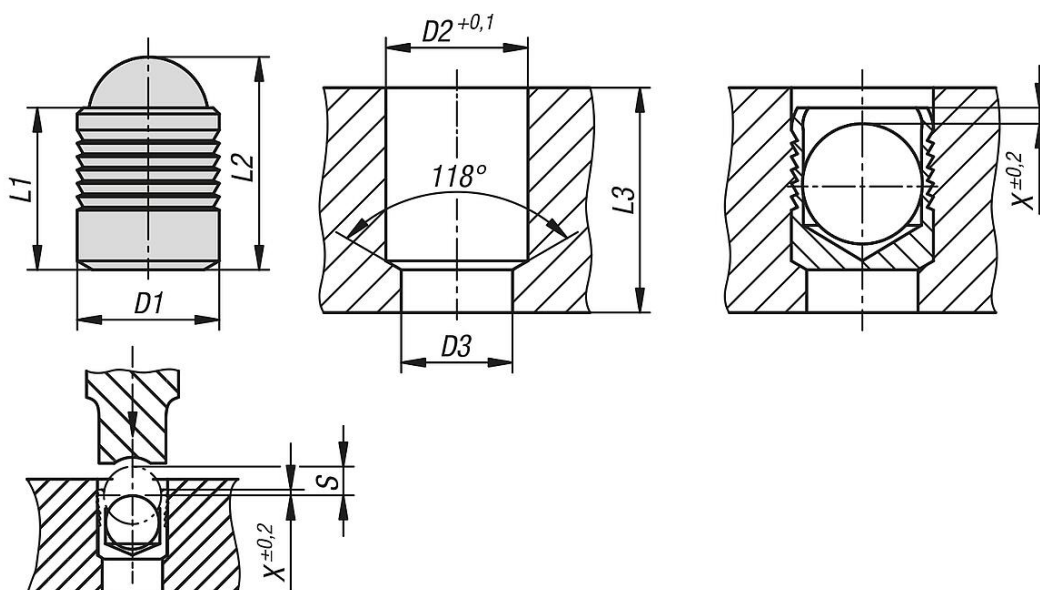
Suitable for base materials with low to medium hardness.

They are usually installed manually using an insertion pin.

Accessory:

Insertion pin 28080-90.

Drawings



Overview of items

Order No.	D1	D2	D3 max.	L1	L2	L3 min.	S	X
28080-03011	3	3	2,2	3,6	4,6	3,4	1,2	0,4
28080-04011	4	4	3,3	4	5,2	3,8	1,5	0,2
28080-05011	5	5	4,3	5,5	7,1	5,3	2	0,4
28080-06011	6	6	5,3	6,5	8,7	6,3	2,5	0,4
28080-07011	7	7	6,4	7,5	10,2	7,3	3	0,4
28080-08011	8	8	7,4	8,5	11,6	8,3	3,5	0,3
28080-09011	9	9	8,4	10	13,6	9,8	4	0,4
28080-10011	10	10	9,4	11	15,2	10,8	4,5	0,4
28080-12011	12	12	10,6	13	17,9	12,8	5,5	0,4
28080-14011	14	14	12,7	15	20,6	14,5	6,35	0,4
28080-16011	16	16	14,7	17	23,4	16,5	7	0,6
28080-18011	18	18	16,7	19	26,4	18,5	8	0,6
28080-20011	20	20	18,7	22	30,1	21,5	9	0,8
28080-22011	22	22	20,7	25	34	24,5	10	0,8