

Item description/product images



Description

Material:

Frame PMMA.
Bullseye level body acrylic glass.

Version:

black.

Note:

Bubble levels are used as a type of zero indicator instrument for checking horizontal inclination in e.g. spirit levels, inclinometers, metrology instruments and machine constructions.

These bullseye levels can be mounted using the three fastening holes.

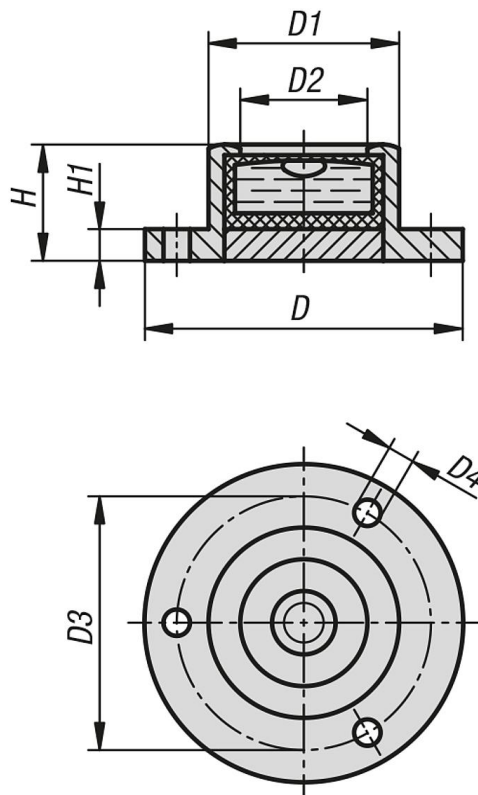
- Calibrated to the ground bottom face
- Sensitivity in angular minutes for 2 mm bubble travel
- Clear filling
- Black contrast ring
- White level base

Angular minutes	Degrees in decimals	Height difference in millimetres per metre
1'	0.0167°	0.291 mm
5'	0.0833°	1.455 mm
10'	0.1667°	2.910 mm
20'	0.3333°	5.820 mm
25'	0.4167°	7.275 mm
30'	0.5000°	8.730 mm
40'	0.6667°	11.640 mm
50'	0.8333°	14.550 mm
53'	0.8833°	15.423 mm

Temperature range:

-35 °C up to +55 °C.

Drawings



Overview of items

Order No.	D	D1	D2	D3	D4	H	H1	Sensitivity
21802-171053	26	17	11	21,5	2,3	10	3	53'

Overview of items

Order No.	D	D1	D2	D3	D4	H	H1	Sensitivity
21802-201140	30	20	14	25	2,3	11	3	40'
21802-241153	36	24	18,5	29	3,2	11	3	53'