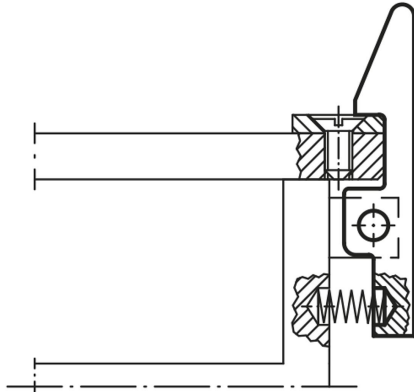
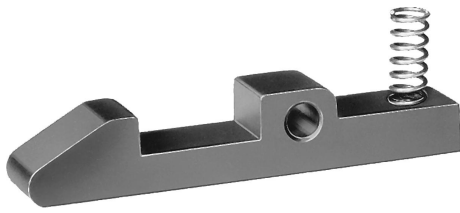


Item description/product images



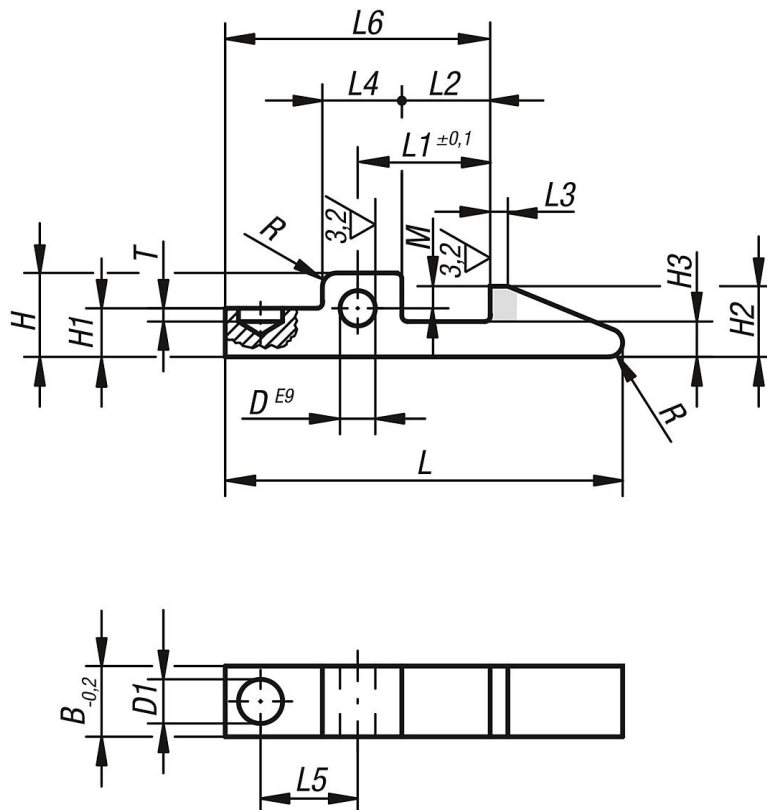
Description

**Material:**  
Carbon steel 1.2067

**Version:**  
Black oxidised, snapper nose hardened (see grey region).

**Note:**  
The spring is supplied.  
Spring dimensions:  
Ø 4.8 x 14  
Ø 5.8 x 17  
Ø 7.3 x 21

Drawings



Overview of items

Order No.	B	D	D1	H	H1	H2	H3	L	L1	L2	L3	L4	L5	L6	T	R	M
07560-01	8	4	5	9,5	5,5	8	4	45	15	10	2	9	11	30	1,5	1,6	2,5
07560-02	10	5	6,3	12	7	10	5	60	20	14	3	11	15	40	3	2,5	3

## Overview of items

Order No.	B	D	D1	H	H1	H2	H3	L	L1	L2	L3	L4	L5	L6	T	R	M
07560-03	14	6	8	15	9	14	7	80	30	22	5	14	23	60	5	4	5