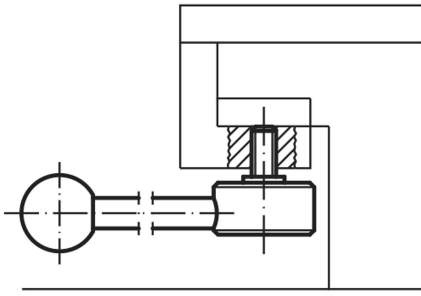
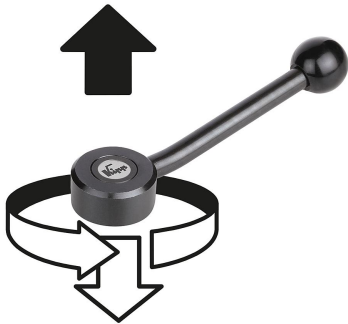


商品描述/产品说明



抬起
脱开



产品说明

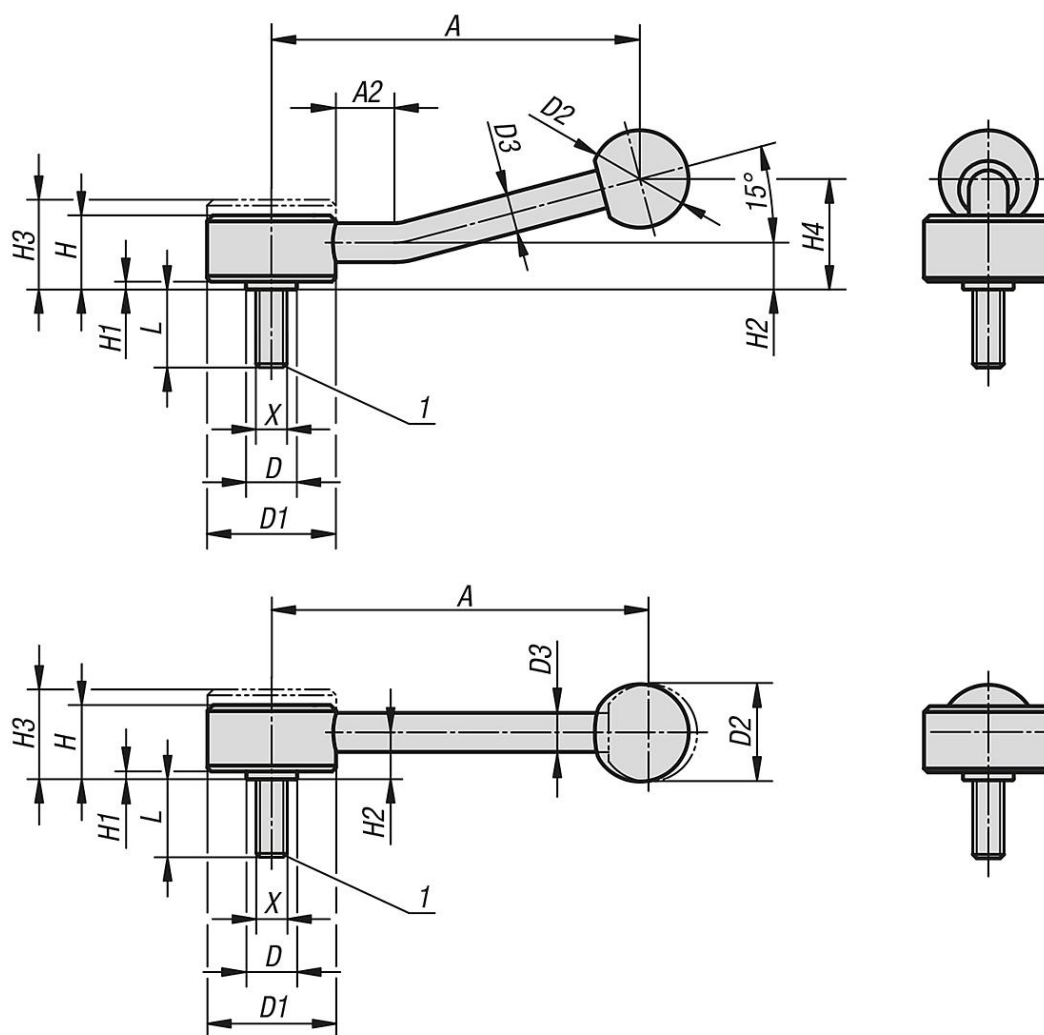
材料：
钢制部件 强度5.8。
塑料手柄球，黑色。

规格：
黑色氧化处理。

根据要求：
其他外螺纹、螺栓长度和特殊类型。
尺寸“H1”和“A”可按照需要提供其他长度，但需另行支付费用。

图纸提示：
1) 平端 DIN EN ISO 4753

图纸



商品概述

| 订货号 | 类型 | X | L | A=手柄长度 | A2 | D | D1 | D2 | D3 | H | H1 | H2 | H3 | H4 | 齿数 |
|---------------|----|-----|----|--------|----|------|----|----|----|----|----|------|----|----|----|
| 06400-1081X15 | 0° | M8 | 15 | 102 | - | 13,5 | 33 | 25 | 10 | 19 | 2 | 12 | 23 | - | 20 |
| 06400-1081X20 | 0° | M8 | 20 | 102 | - | 13,5 | 33 | 25 | 10 | 19 | 2 | 12 | 23 | - | 20 |
| 06400-1081X25 | 0° | M8 | 25 | 102 | - | 13,5 | 33 | 25 | 10 | 19 | 2 | 12 | 23 | - | 20 |
| 06400-1081X30 | 0° | M8 | 30 | 102 | - | 13,5 | 33 | 25 | 10 | 19 | 2 | 12 | 23 | - | 20 |
| 06400-1081X40 | 0° | M8 | 40 | 102 | - | 13,5 | 33 | 25 | 10 | 19 | 2 | 12 | 23 | - | 20 |
| 06400-1081X50 | 0° | M8 | 50 | 102 | - | 13,5 | 33 | 25 | 10 | 19 | 2 | 12 | 23 | - | 20 |
| 06400-1081X60 | 0° | M8 | 60 | 102 | - | 13,5 | 33 | 25 | 10 | 19 | 2 | 12 | 23 | - | 20 |
| 06400-1101X15 | 0° | M10 | 15 | 102 | - | 13,5 | 33 | 25 | 10 | 19 | 2 | 12 | 23 | - | 20 |
| 06400-1101X20 | 0° | M10 | 20 | 102 | - | 13,5 | 33 | 25 | 10 | 19 | 2 | 12 | 23 | - | 20 |
| 06400-1101X25 | 0° | M10 | 25 | 102 | - | 13,5 | 33 | 25 | 10 | 19 | 2 | 12 | 23 | - | 20 |
| 06400-1101X30 | 0° | M10 | 30 | 102 | - | 13,5 | 33 | 25 | 10 | 19 | 2 | 12 | 23 | - | 20 |
| 06400-1101X40 | 0° | M10 | 40 | 102 | - | 13,5 | 33 | 25 | 10 | 19 | 2 | 12 | 23 | - | 20 |
| 06400-1101X50 | 0° | M10 | 50 | 102 | - | 13,5 | 33 | 25 | 10 | 19 | 2 | 12 | 23 | - | 20 |
| 06400-1101X60 | 0° | M10 | 60 | 102 | - | 13,5 | 33 | 25 | 10 | 19 | 2 | 12 | 23 | - | 20 |
| 06400-2101X20 | 0° | M10 | 20 | 131 | - | 19 | 41 | 30 | 12 | 22 | 2 | 13,5 | 26 | - | 24 |
| 06400-2101X25 | 0° | M10 | 25 | 131 | - | 19 | 41 | 30 | 12 | 22 | 2 | 13,5 | 26 | - | 24 |
| 06400-2101X30 | 0° | M10 | 30 | 131 | - | 19 | 41 | 30 | 12 | 22 | 2 | 13,5 | 26 | - | 24 |
| 06400-2101X40 | 0° | M10 | 40 | 131 | - | 19 | 41 | 30 | 12 | 22 | 2 | 13,5 | 26 | - | 24 |
| 06400-2101X50 | 0° | M10 | 50 | 131 | - | 19 | 41 | 30 | 12 | 22 | 2 | 13,5 | 26 | - | 24 |

商品概述

| 订货号 | 类型 | X | L | A=手柄长度 | A2 | D | D1 | D2 | D3 | H | H1 | H2 | H3 | H4 | 齿数 |
|---------------|-----|-----|----|--------|----|------|----|----|----|----|----|------|----|----|----|
| 06400-2101X60 | 0° | M10 | 60 | 131 | - | 19 | 41 | 30 | 12 | 22 | 2 | 13,5 | 26 | - | 24 |
| 06400-2121X20 | 0° | M12 | 20 | 131 | - | 19 | 41 | 30 | 12 | 22 | 2 | 13,5 | 26 | - | 24 |
| 06400-2121X25 | 0° | M12 | 25 | 131 | - | 19 | 41 | 30 | 12 | 22 | 2 | 13,5 | 26 | - | 24 |
| 06400-2121X30 | 0° | M12 | 30 | 131 | - | 19 | 41 | 30 | 12 | 22 | 2 | 13,5 | 26 | - | 24 |
| 06400-2121X40 | 0° | M12 | 40 | 131 | - | 19 | 41 | 30 | 12 | 22 | 2 | 13,5 | 26 | - | 24 |
| 06400-2121X50 | 0° | M12 | 50 | 131 | - | 19 | 41 | 30 | 12 | 22 | 2 | 13,5 | 26 | - | 24 |
| 06400-2121X60 | 0° | M12 | 60 | 131 | - | 19 | 41 | 30 | 12 | 22 | 2 | 13,5 | 26 | - | 24 |
| 06400-3121X20 | 0° | M12 | 20 | 148 | - | 23 | 45 | 37 | 14 | 28 | 2 | 17 | 33 | - | 26 |
| 06400-3121X25 | 0° | M12 | 25 | 148 | - | 23 | 45 | 37 | 14 | 28 | 2 | 17 | 33 | - | 26 |
| 06400-3121X30 | 0° | M12 | 30 | 148 | - | 23 | 45 | 37 | 14 | 28 | 2 | 17 | 33 | - | 26 |
| 06400-3121X40 | 0° | M12 | 40 | 148 | - | 23 | 45 | 37 | 14 | 28 | 2 | 17 | 33 | - | 26 |
| 06400-3121X50 | 0° | M12 | 50 | 148 | - | 23 | 45 | 37 | 14 | 28 | 2 | 17 | 33 | - | 26 |
| 06400-3121X60 | 0° | M12 | 60 | 148 | - | 23 | 45 | 37 | 14 | 28 | 2 | 17 | 33 | - | 26 |
| 06400-3161X20 | 0° | M16 | 20 | 148 | - | 23 | 45 | 37 | 14 | 28 | 2 | 17 | 33 | - | 26 |
| 06400-3161X25 | 0° | M16 | 25 | 148 | - | 23 | 45 | 37 | 14 | 28 | 2 | 17 | 33 | - | 26 |
| 06400-3161X30 | 0° | M16 | 30 | 148 | - | 23 | 45 | 37 | 14 | 28 | 2 | 17 | 33 | - | 26 |
| 06400-3161X40 | 0° | M16 | 40 | 148 | - | 23 | 45 | 37 | 14 | 28 | 2 | 17 | 33 | - | 26 |
| 06400-3161X50 | 0° | M16 | 50 | 148 | - | 23 | 45 | 37 | 14 | 28 | 2 | 17 | 33 | - | 26 |
| 06400-3161X60 | 0° | M16 | 60 | 148 | - | 23 | 45 | 37 | 14 | 28 | 2 | 17 | 33 | - | 26 |
| 06400-1082X15 | 15° | M8 | 15 | 100 | 15 | 13,5 | 33 | 25 | 10 | 19 | 2 | 12 | 23 | 29 | 20 |
| 06400-1082X20 | 15° | M8 | 20 | 100 | 15 | 13,5 | 33 | 25 | 10 | 19 | 2 | 12 | 23 | 29 | 20 |
| 06400-1082X25 | 15° | M8 | 25 | 100 | 15 | 13,5 | 33 | 25 | 10 | 19 | 2 | 12 | 23 | 29 | 20 |
| 06400-1082X30 | 15° | M8 | 30 | 100 | 15 | 13,5 | 33 | 25 | 10 | 19 | 2 | 12 | 23 | 29 | 20 |
| 06400-1082X40 | 15° | M8 | 40 | 100 | 15 | 13,5 | 33 | 25 | 10 | 19 | 2 | 12 | 23 | 29 | 20 |
| 06400-1082X50 | 15° | M8 | 50 | 100 | 15 | 13,5 | 33 | 25 | 10 | 19 | 2 | 12 | 23 | 29 | 20 |
| 06400-1082X60 | 15° | M8 | 60 | 100 | 15 | 13,5 | 33 | 25 | 10 | 19 | 2 | 12 | 23 | 29 | 20 |
| 06400-1102X15 | 15° | M10 | 15 | 100 | 15 | 13,5 | 33 | 25 | 10 | 19 | 2 | 12 | 23 | 29 | 20 |
| 06400-1102X20 | 15° | M10 | 20 | 100 | 15 | 13,5 | 33 | 25 | 10 | 19 | 2 | 12 | 23 | 29 | 20 |
| 06400-1102X25 | 15° | M10 | 25 | 100 | 15 | 13,5 | 33 | 25 | 10 | 19 | 2 | 12 | 23 | 29 | 20 |
| 06400-1102X30 | 15° | M10 | 30 | 100 | 15 | 13,5 | 33 | 25 | 10 | 19 | 2 | 12 | 23 | 29 | 20 |
| 06400-1102X40 | 15° | M10 | 40 | 100 | 15 | 13,5 | 33 | 25 | 10 | 19 | 2 | 12 | 23 | 29 | 20 |
| 06400-1102X50 | 15° | M10 | 50 | 100 | 15 | 13,5 | 33 | 25 | 10 | 19 | 2 | 12 | 23 | 29 | 20 |
| 06400-1102X60 | 15° | M10 | 60 | 100 | 15 | 13,5 | 33 | 25 | 10 | 19 | 2 | 12 | 23 | 29 | 20 |
| 06400-2102X20 | 15° | M10 | 20 | 127 | 15 | 19 | 41 | 30 | 12 | 22 | 2 | 13,5 | 26 | 38 | 24 |
| 06400-2102X25 | 15° | M10 | 25 | 127 | 15 | 19 | 41 | 30 | 12 | 22 | 2 | 13,5 | 26 | 38 | 24 |
| 06400-2102X30 | 15° | M10 | 30 | 127 | 15 | 19 | 41 | 30 | 12 | 22 | 2 | 13,5 | 26 | 38 | 24 |
| 06400-2102X40 | 15° | M10 | 40 | 127 | 15 | 19 | 41 | 30 | 12 | 22 | 2 | 13,5 | 26 | 38 | 24 |
| 06400-2102X50 | 15° | M10 | 50 | 127 | 15 | 19 | 41 | 30 | 12 | 22 | 2 | 13,5 | 26 | 38 | 24 |
| 06400-2102X60 | 15° | M10 | 60 | 127 | 15 | 19 | 41 | 30 | 12 | 22 | 2 | 13,5 | 26 | 38 | 24 |
| 06400-2122X20 | 15° | M12 | 20 | 127 | 15 | 19 | 41 | 30 | 12 | 22 | 2 | 13,5 | 26 | 38 | 24 |
| 06400-2122X25 | 15° | M12 | 25 | 127 | 15 | 19 | 41 | 30 | 12 | 22 | 2 | 13,5 | 26 | 38 | 24 |
| 06400-2122X30 | 15° | M12 | 30 | 127 | 15 | 19 | 41 | 30 | 12 | 22 | 2 | 13,5 | 26 | 38 | 24 |
| 06400-2122X40 | 15° | M12 | 40 | 127 | 15 | 19 | 41 | 30 | 12 | 22 | 2 | 13,5 | 26 | 38 | 24 |
| 06400-2122X50 | 15° | M12 | 50 | 127 | 15 | 19 | 41 | 30 | 12 | 22 | 2 | 13,5 | 26 | 38 | 24 |
| 06400-2122X60 | 15° | M12 | 60 | 127 | 15 | 19 | 41 | 30 | 12 | 22 | 2 | 13,5 | 26 | 38 | 24 |
| 06400-3122X20 | 15° | M12 | 20 | 145 | 15 | 23 | 45 | 37 | 14 | 28 | 2 | 17 | 33 | 48 | 26 |
| 06400-3122X25 | 15° | M12 | 25 | 145 | 15 | 23 | 45 | 37 | 14 | 28 | 2 | 17 | 33 | 48 | 26 |
| 06400-3122X30 | 15° | M12 | 30 | 145 | 15 | 23 | 45 | 37 | 14 | 28 | 2 | 17 | 33 | 48 | 26 |
| 06400-3122X40 | 15° | M12 | 40 | 145 | 15 | 23 | 45 | 37 | 14 | 28 | 2 | 17 | 33 | 48 | 26 |
| 06400-3122X50 | 15° | M12 | 50 | 145 | 15 | 23 | 45 | 37 | 14 | 28 | 2 | 17 | 33 | 48 | 26 |
| 06400-3122X60 | 15° | M12 | 60 | 145 | 15 | 23 | 45 | 37 | 14 | 28 | 2 | 17 | 33 | 48 | 26 |
| 06400-3162X20 | 15° | M16 | 20 | 145 | 15 | 23 | 45 | 37 | 14 | 28 | 2 | 17 | 33 | 48 | 26 |
| 06400-3162X25 | 15° | M16 | 25 | 145 | 15 | 23 | 45 | 37 | 14 | 28 | 2 | 17 | 33 | 48 | 26 |
| 06400-3162X30 | 15° | M16 | 30 | 145 | 15 | 23 | 45 | 37 | 14 | 28 | 2 | 17 | 33 | 48 | 26 |
| 06400-3162X40 | 15° | M16 | 40 | 145 | 15 | 23 | 45 | 37 | 14 | 28 | 2 | 17 | 33 | 48 | 26 |
| 06400-3162X50 | 15° | M16 | 50 | 145 | 15 | 23 | 45 | 37 | 14 | 28 | 2 | 17 | 33 | 48 | 26 |
| 06400-3162X60 | 15° | M16 | 60 | 145 | 15 | 23 | 45 | 37 | 14 | 28 | 2 | 17 | 33 | 48 | 26 |

商品概述
