

Item description/product images



Description

Material:

Steel.

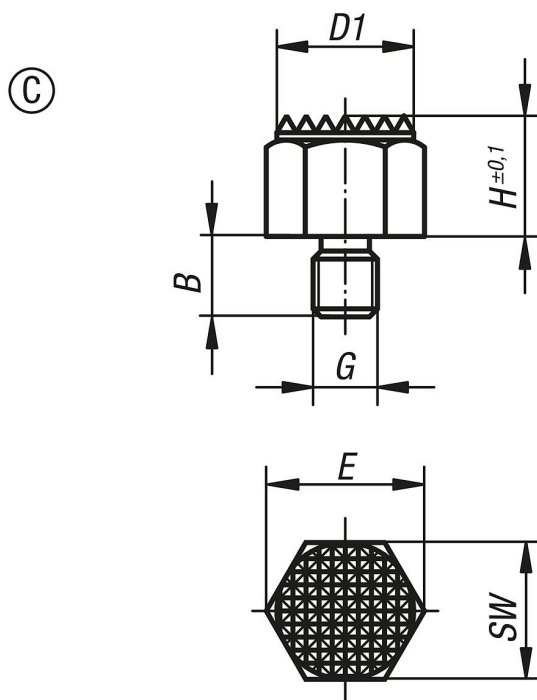
Version:

Case-hardened and black oxidised.

Note:

Positioning feet are used as supports, stops and thrust pads for fixtures and general machine and appliance construction.

Drawings



Overview of items

| Order No. | Form | B | D1 | G | H | E | SW | Tightening torque max. Nm |
|------------|------|----|----|-----|----|------|----|---------------------------|
| 02040-308 | C | 8 | 13 | M6 | 8 | 14,4 | 13 | 8,5 |
| 02040-3102 | C | 10 | 13 | M6 | 10 | 14,4 | 13 | 8,5 |
| 02040-3081 | C | 10 | 17 | M8 | 8 | 19,4 | 17 | 18 |
| 02040-3101 | C | 10 | 17 | M8 | 10 | 19,4 | 17 | 18 |
| 02040-3103 | C | 12 | 19 | M10 | 10 | 21,9 | 19 | 32 |
| 02040-3152 | C | 12 | 19 | M10 | 15 | 21,9 | 19 | 32 |
| 02040-310 | C | 14 | 22 | M12 | 10 | 25,2 | 22 | 60 |
| 02040-315 | C | 14 | 22 | M12 | 15 | 25,2 | 22 | 60 |
| 02040-3151 | C | 19 | 30 | M16 | 15 | 33 | 30 | 140 |
| 02040-3201 | C | 19 | 30 | M16 | 20 | 33 | 30 | 140 |

