

## Item description/product images



## Description

**Material:**

Body high carbon steel.

**Version:**

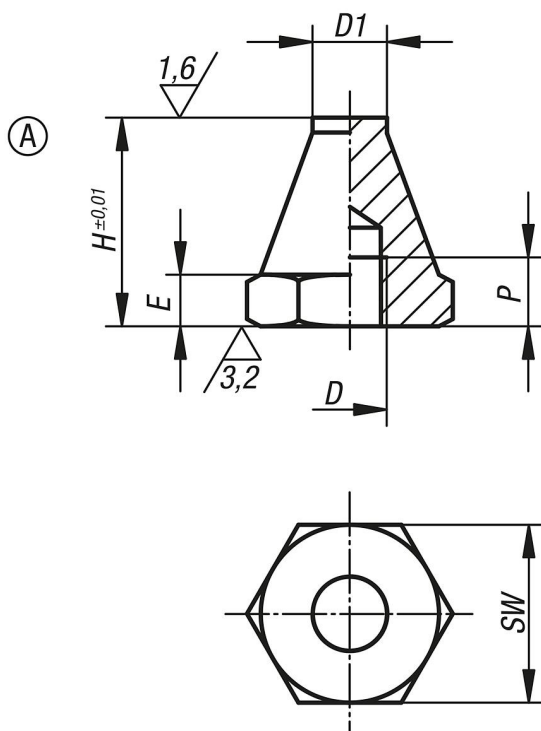
Body tempered and black oxidised.

**Note:**

Rest pads are for supporting machined and non-machined parts. They can also be used as stops and thrust pads in fixtures and toolmaking.

Studs or grub screws can be screwed and glued into the tapped hole D to make a rest pad with external thread.

## Drawings



## Overview of items

Order No.	Form	D	D1	E	H	P	SW
02028-106012	A	M6	6	3	12,5	4	11
02028-106025	A	M6	6	3	25	7	11
02028-108015	A	M8	8	4	15	6	13
02028-108030	A	M8	8	4	30	9	13
02028-110020	A	M10	10	5	20	9	17
02028-110040	A	M10	10	5	40	13	17
02028-112025	A	M12	12	6	25	11	19
02028-112050	A	M12	12	6	50	16	19
02028-116030	A	M16	16	8	30	12	24

## Overview of items

Order No.	Form	D	D1	E	H	P	SW
02028-116060	A	M16	16	8	60	20	24