

Item description/product images



Description

Material:
Steel.

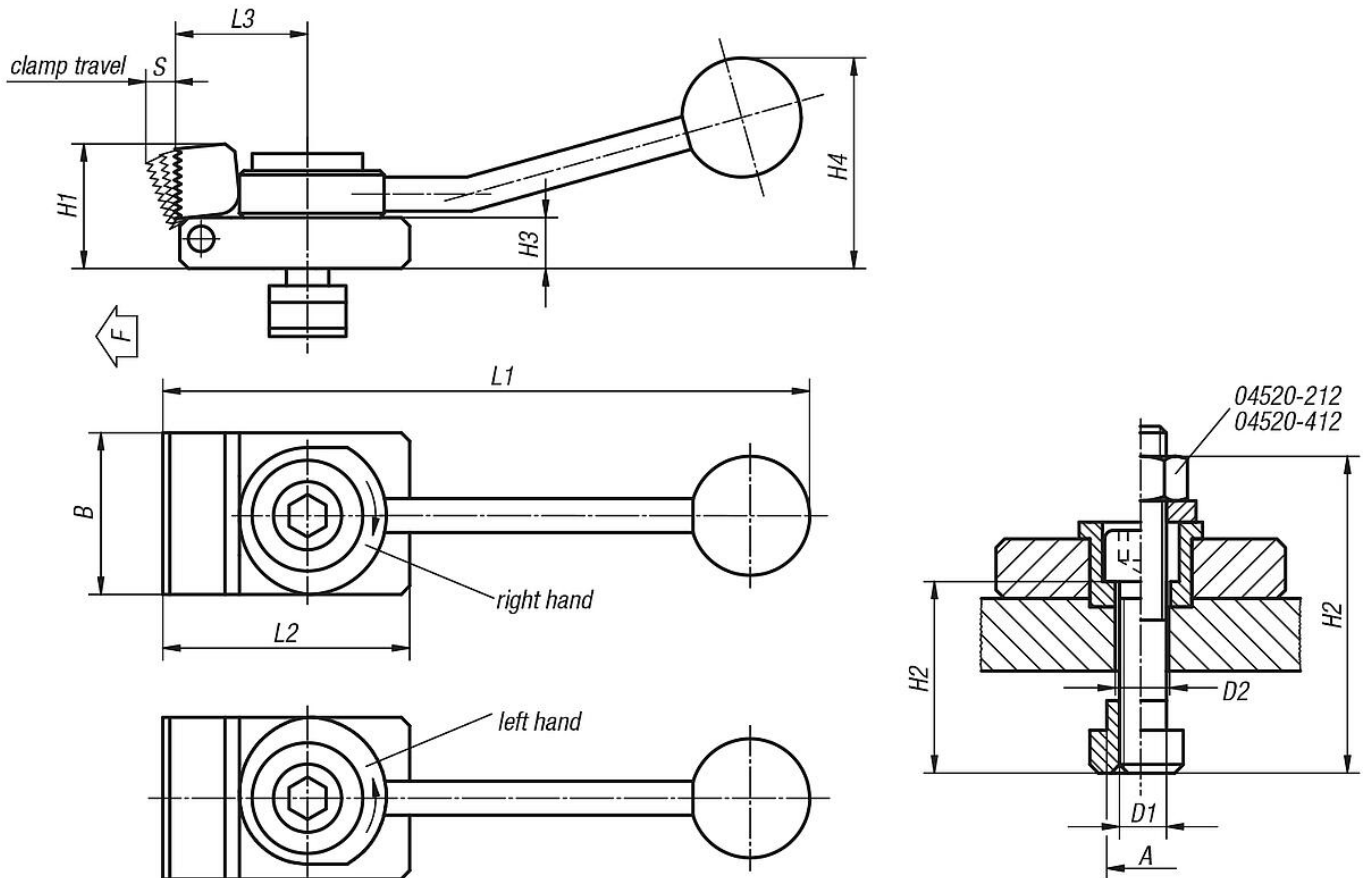
Version:
Case-hardened, black oxidised and ground.

Note:

This is a quick-action side clamp where workpieces are clamped by rotating a cam wheel which exerts pressure on the swivel jaw, simultaneously producing a positive down force. The low-profile design allows workpieces to be machined over the entire top surface without the need to move the the clamp. A spring withdraws the jaw when opened.

The clamp can be positioned parallel to the T-slot by mounting on the seating block 02395.

Drawings



Overview of items

Order No.	Version 1	Version 2	slot dimension A	D1	D2	L1	L2	L3	B	H1	H2	H3	H4	S	F max. kN
04520-110X1	left	jaw plate level	10	M8	8,4	132	50	32	32	20	30	8	40	3	3,5
04520-310X1	right	jaw plate level	10	M8	8,4	132	50	32	32	20	30	8	40	3	3,5
04520-112X1	left	jaw plate level	12	M8	8,4	132	50	32	32	20	30	8	40	3	3,5
04520-312X1	right	jaw plate level	12	M8	8,4	132	50	32	32	20	30	8	40	3	3,5
04520-212X1	left	jaw plate level	12	M12	12,5	190	72	40	48	38	60	16	62	4	7

Overview of items

Order No.	Version 1	Version 2	slot dimension A	D1	D2	L1	L2	L3	B	H1	H2	H3	H4	S	F max. kN
04520-412X1	right	jaw plate level	12	M12	12,5	190	72	40	48	38	60	16	62	4	7
04520-314X1	right	jaw plate level	14	M8	8,4	132	50	32	32	20	30	8	40	3	3,5
04520-114X1	left	jaw plate level	14	M8	8,4	132	50	32	32	20	30	8	40	3	3,5
04520-214X1	left	jaw plate level	14	M12	12,5	190	72	40	48	38	40	16	62	4	7
04520-414X1	right	jaw plate level	14	M12	12,5	190	72	40	48	38	40	16	62	4	7
04520-416X1	right	jaw plate level	16	M12	12,5	190	72	40	48	38	40	16	62	4	7
04520-216X1	left	jaw plate level	16	M12	12,5	190	72	40	48	38	40	16	62	4	7
04520-218X1	left	jaw plate level	18	M12	12,5	190	72	40	48	38	40	16	62	4	7
04520-418X1	right	jaw plate level	18	M12	12,5	190	72	40	48	38	40	16	62	4	7