

Item description/product images

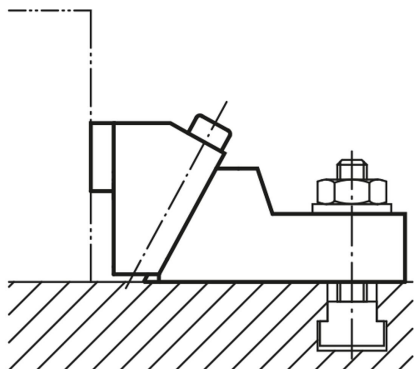


Description

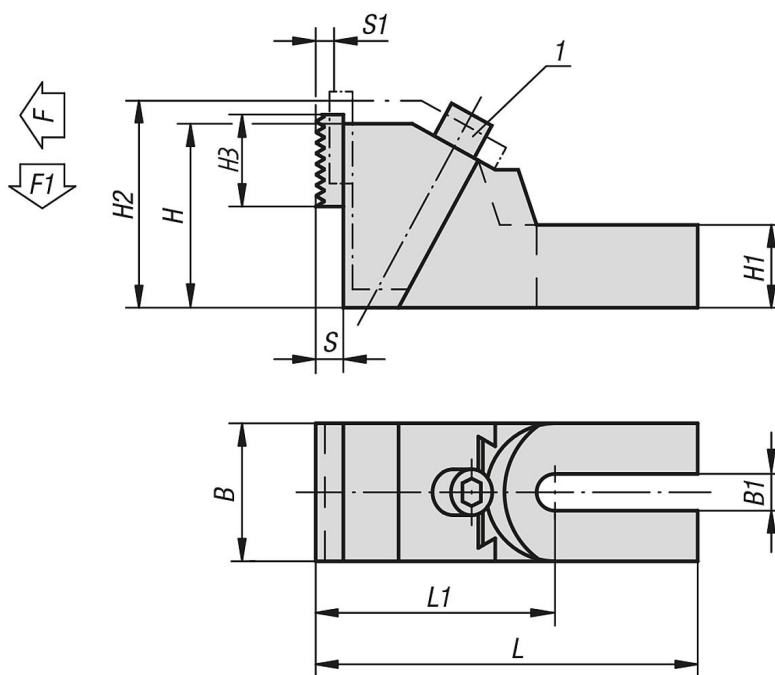
Material:
 Body malleable iron.
 Jaws mild steel.

Version:
 Black oxidised.
 Jaws case-hardened.

Note:
 The jaws are reversible, smooth side for machined parts, serrated side for rough surfaces. We recommend using two bolts to mount the clamp to the machine table! The T-slot bolts 07040 can be used for mounting (order separately).



Drawings



Overview of items

Order No.	suitable for slot width	L	L1	B	B1	H	H1	H2	H3	S	S1	Clamping force F (kN)	F1 kN	Tightening torque Nm
04500-19	12/14/16/18	179	112,5	65	19	85	38	99	40	12	8	8/15/20/28	1,2/2,2/3/4,2	20/40/45/60
04500-26	20/22/24/28/30	230	138,5	75	26	100	45	118	40	12	11	25/25/32/32/36	4,5/4,5/4,8/4,8/5,4	85/85/95/95/110
04500-38	32/36/42	265	158	90	38	120	56	145	40	12	15	50	7,5	160

