

Item description/product images



Description

Material:

Carbon steel.

Hex washer brass.

Version:

Tempered to 10.9 and black oxidised.

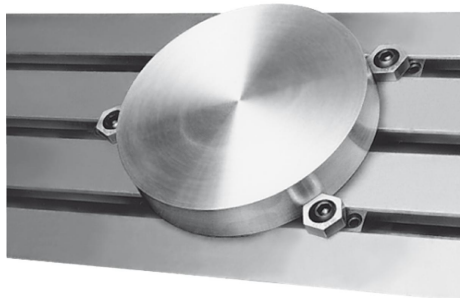
Note:

Also called fixture clamps for T-slots.

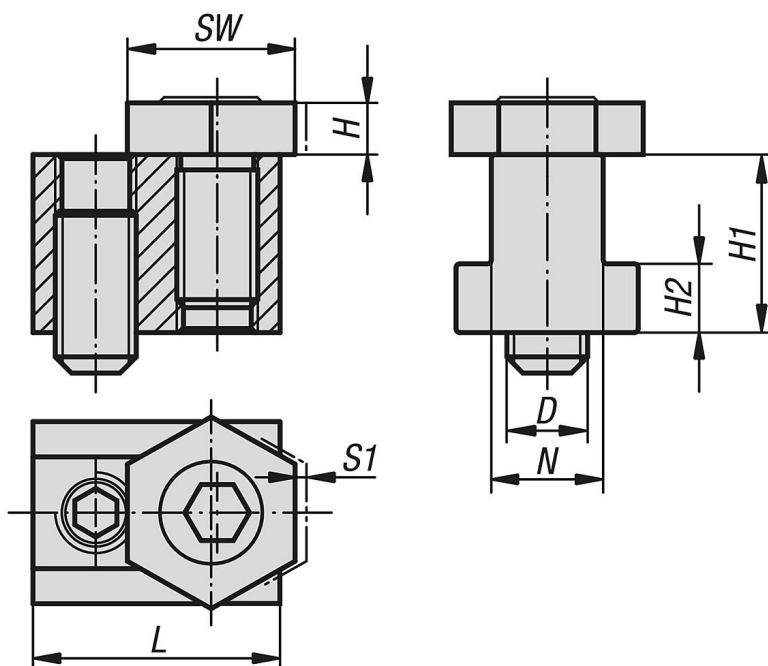
These fixture clamps can be used directly on machine tables or other tables with T-slots. The grub screw at the rear locks the T-nut in the slot. Thin shims are recommended to prevent marking the bottom of the T-slot.

On request:

Replacement cam screws.



Drawings



Overview of items

Order No.	D	N	H	H1	H2	L	SW	S1 (travel)	Clamping force kN
04436-08	M6	8	4,8	9,6	4,5	23	16	1	3,4
04436-10	M6	10	4,8	14	4,5	23	16	1	3,4
04436-12	M8	12	4,8	15,5	6,5	28	21	1	3,6
04436-14	M10	14	6,4	22	8,5	30,5	21	1,6	9
04436-16	M12	16	9,5	22,5	9	30,5	25	2	18
04436-18	M12	18	9,5	28,5	10	34,5	25	2	18
04436-20	M16	20	12,7	32	12	39	30	2,5	27
04436-22	M16	22	12,7	38,2	14	44	30	2,5	27

