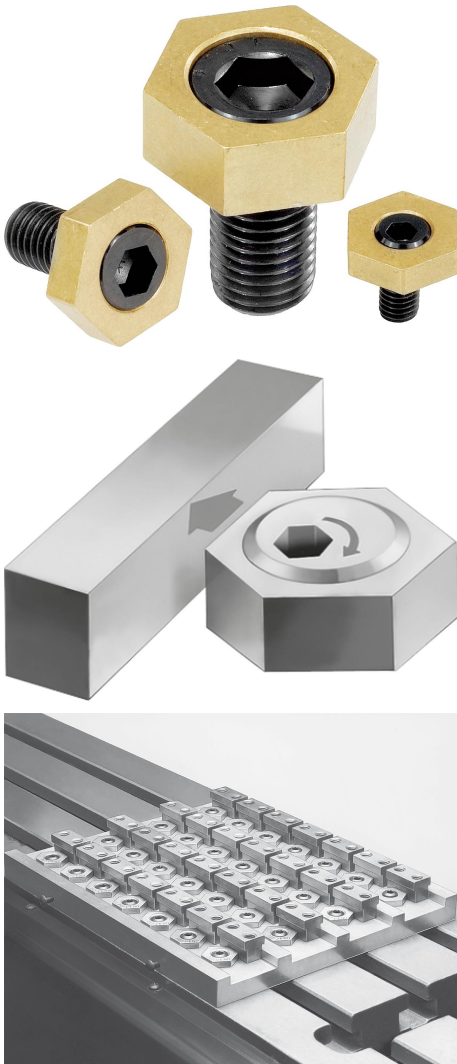


## Item description/product images

**Description****Material:**

Cam screw carbon steel.

Hex washer brass.

**Version:**

Cam screw tempered to 10.9 and black oxidised.

**Note:**

Also called fixture clamps.

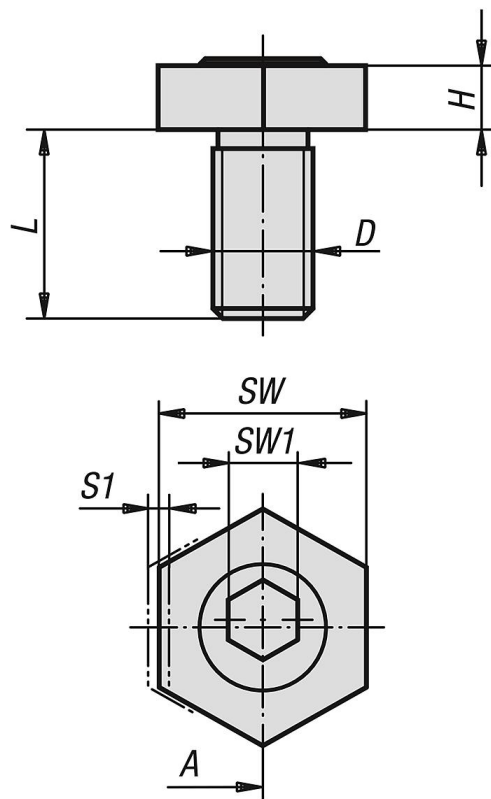
The minimal height of this fixture clamp allows numerous clamping problems in fixture and equipment construction to be solved. The brass hex washer offers a gentle yet extremely stable and safe clamping of workpieces. By using several fixture clamps entire pallets can be set-up.

“A” = distance from workpiece to screw centre  
(cam screw).

**On request:**

Replacement cam screws.

## Drawings



## Overview of items

Order No.	A	D	H	L	SW	SW1	S1 (travel)	Clamping force kN	Tightening torque max. Nm
04435-04	3,8	M4	2,8	10	8	3	0,8	0,9	2,2
04435-06	7,8	M6	4,8	12	16	4	1	3,4	8,5
04435-08	10,2	M8	4,8	15	20,6	5	1	3,6	11,3
04435-10	10,2	M10	6,4	20	20,6	7	1,6	9,0	28,06
04435-12	12,7	M12	9,5	25	25,4	8	2	18,0	88
04435-16	15	M16	12,7	30	30,2	12	2,5	27,0	135