

Item description/product images

**Description****Material:**

Carbon steel.
Ball knob plastic.

Version:

Tempered and black oxidised.
Ball knob thermoset PF 31, black.

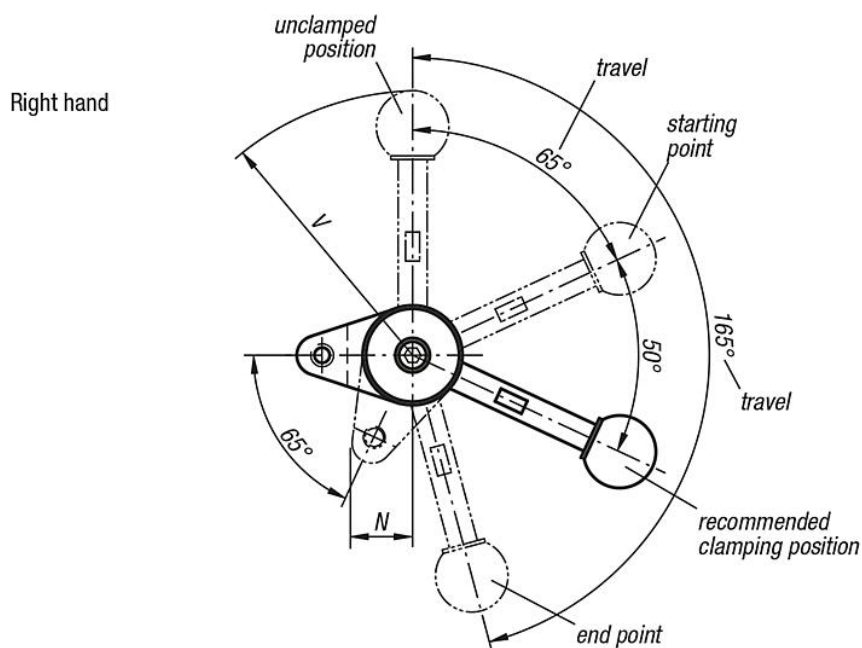
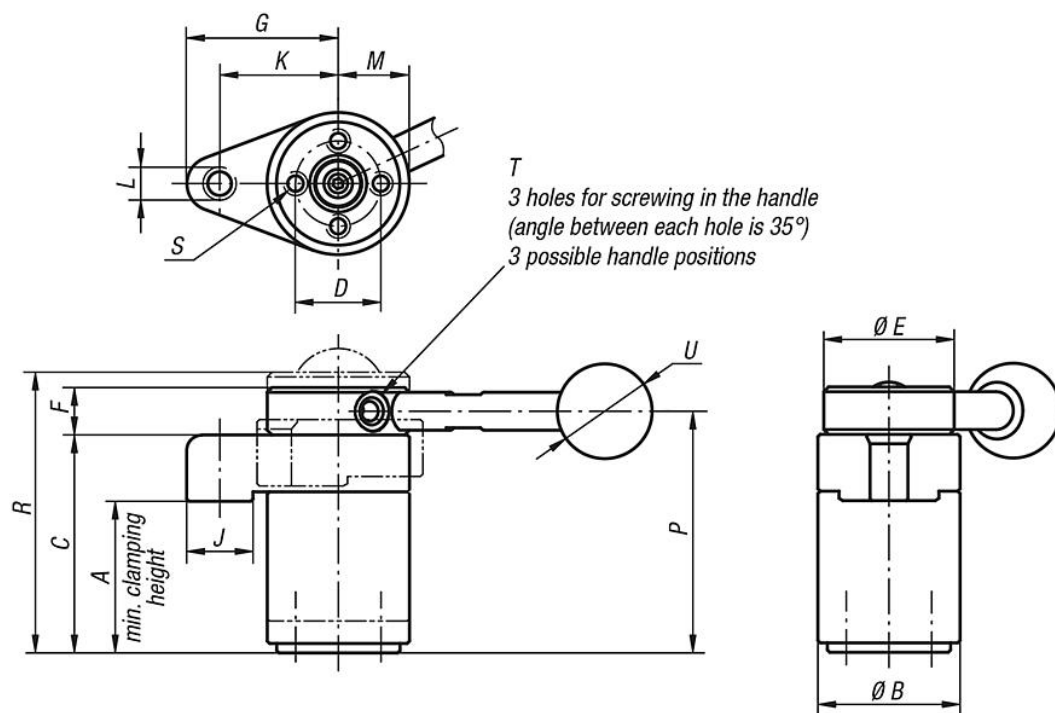
Note:

* Admissible hand force to operate the handle.

Accessory:

Standard handles 06355.
Screw-in handles with adjustable torque 06357.

Drawings



Overview of items

Order No.	Version 1	Grip	A min.	A max.	B	C	D	E	F	G	J	K	L	M	N	P	R	S	T	U	V	F=Retaining force N	Hand force FH N
04366-103232	right	without	31,4	32,6	30	46	18	30	10	32	14	25	M6	15	17	51	57,5	M4x8	M5	-	-	800	150*
04366-104540	right	without	44,1	45,9	40	63	25	38	13	40	16	32	M8	20	22,5	69,5	78,1	M6x12	M6	-	-	1200	200*
04366-113232	right	with handle	31,4	32,6	30	46	18	30	10	32	14	25	M6	15	17	51	57,5	M4x8	M5	20	73	800	150*
04366-114540	right	with handle	44,1	45,9	40	63	25	38	13	40	16	32	M8	20	22,5	69,5	78,1	M6x12	M6	25	107	1200	200*

