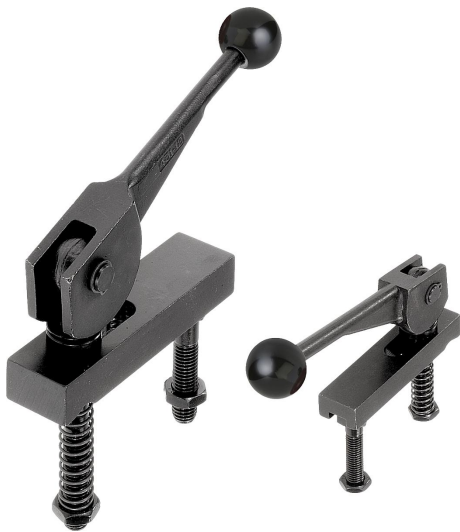


Item description/product images



Description

Material:

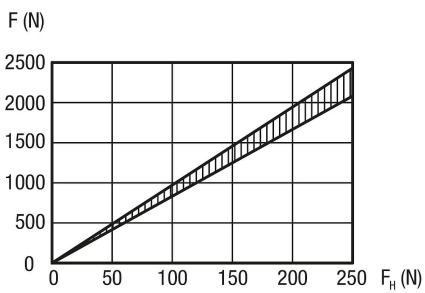
Cam lever carbon steel 1.7220.

Strap carbon steel 1.1191

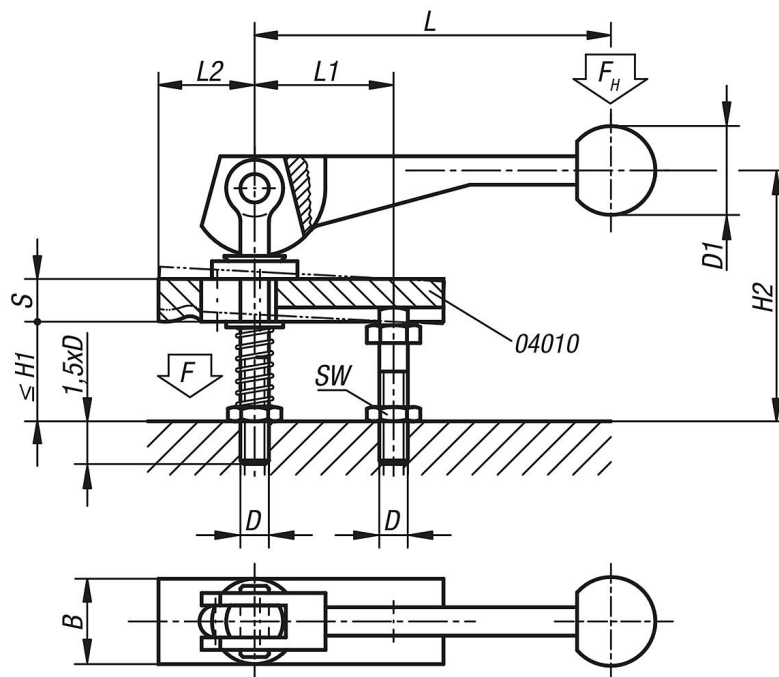
Version:

Black oxidised.

Force diagram



Drawings



## Overview of items

Order No.	L	L1	L2	B	S	H1 max.	H2	D	D1	SW
04350-08	104±2	39	37	20	12	28	74	M8	25	13
04350-10	123±2	49	46	25	16	39	92	M10	30	17
04350-12	146±3	61	58	32	20	49	120	M12	30	19