

Item description/product images



Description

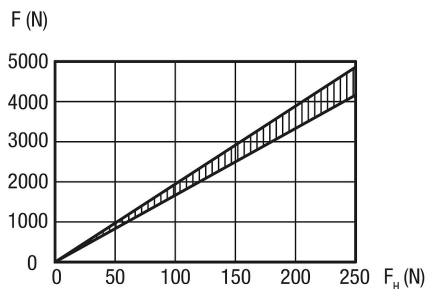
Material:

Cam lever carbon steel 1.7220.  
Strap carbon steel 1.1191.

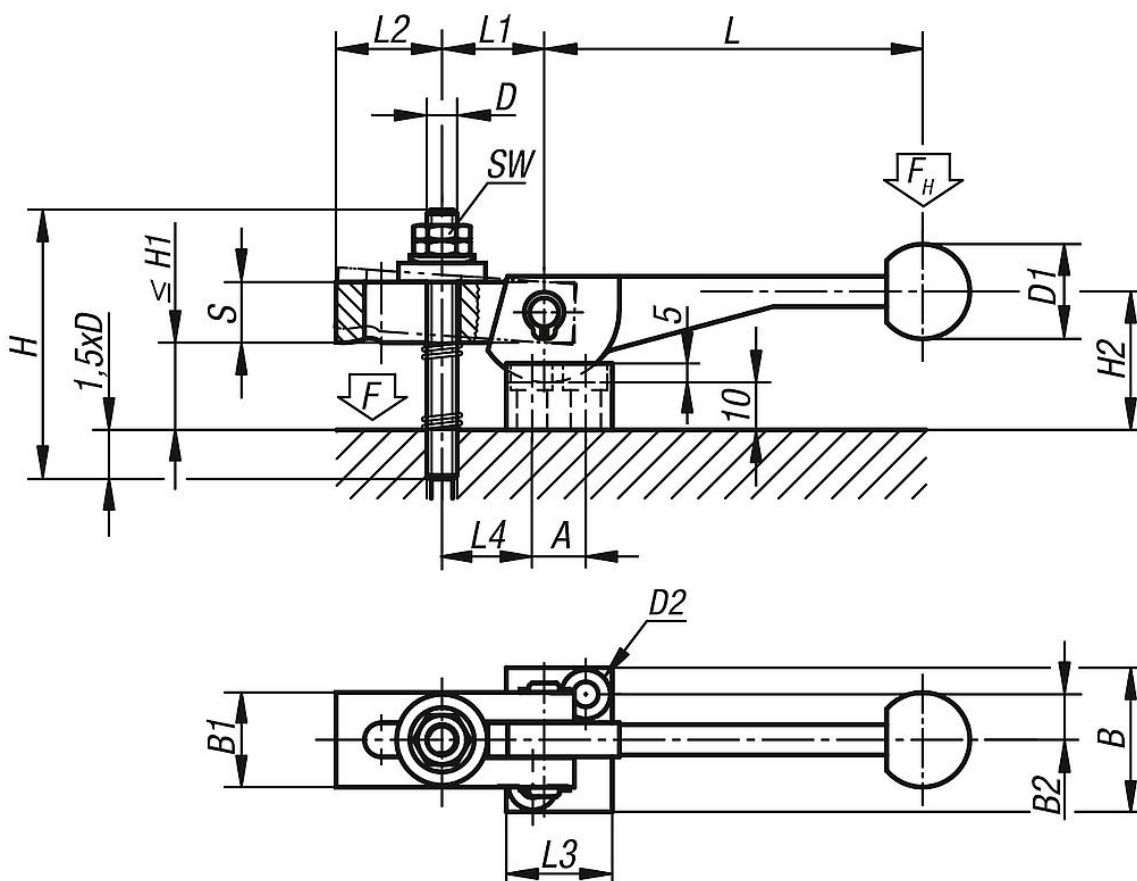
Version:

Black oxidised.

Force diagram



Drawings



Overview of items

Order No.	L	L1	L2	L3	L4	B	B1	B2	S	H	H1 max.	H2	D	D1	D2	A	SW
04330-08	104±2	27	28	28	27	38	25	12	16	70	25	34	M8	25	7	14	13

## Overview of items

Order No.	L	L1	L2	L3	L4	B	B1	B2	S	H	H1 max.	H2	D	D1	D2	A	SW
04330-10	123±2	34	36	32	35	41	32	13,5	20	80	24	40	M10	30	7	16	17
04330-12	146±3	43	45	37	45	43	40	14,5	25	100	31	48	M12	30	7	19	19