

Item description/product images



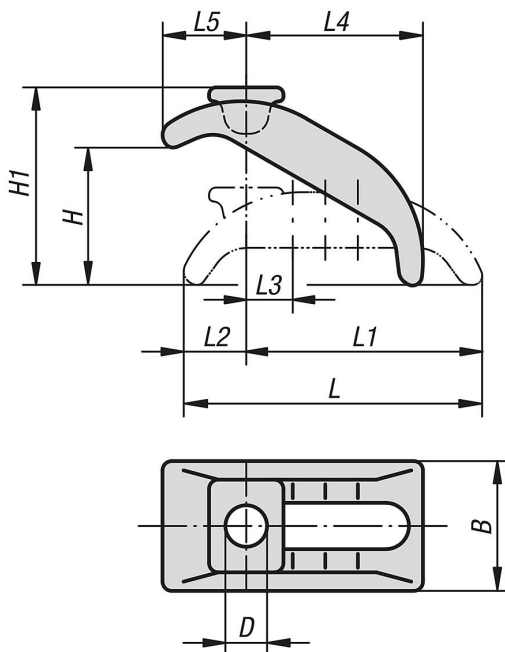
Description

**Material:**  
Carbon steel.

**Version:**  
Blue electro zinc-plated.

**Note:**  
The strap provides instant height adjustment without blocks or shims and requires little space on the machine table. Designed for rugged use and highly suitable for clamping blanking and punching dies. Suitable mounting bolts for these clamps see 07040.

Drawings



Overview of items

Order No.	suitable for slot width	suitable fastening screw	D	L	L1	L2	L3	L4	L5	B	H	H1
04205-12	12, 14	M12	13	88	68	23	14	48	28	38	0-40	57
04205-16	16, 18	M16	18	130	101	29	18	74	38	56	0-65	90
04205-20	20, 22	M20	22	144	112	32	20	80	46	66	0-70	103
04205-24	24, 28	M24	25	174	135	39	24	100	52	76	0-85	120

