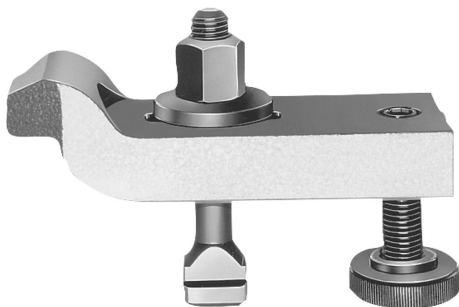


Item description/product images



Description

Material:

Carbon steel.
Screws tempered to 8.8.

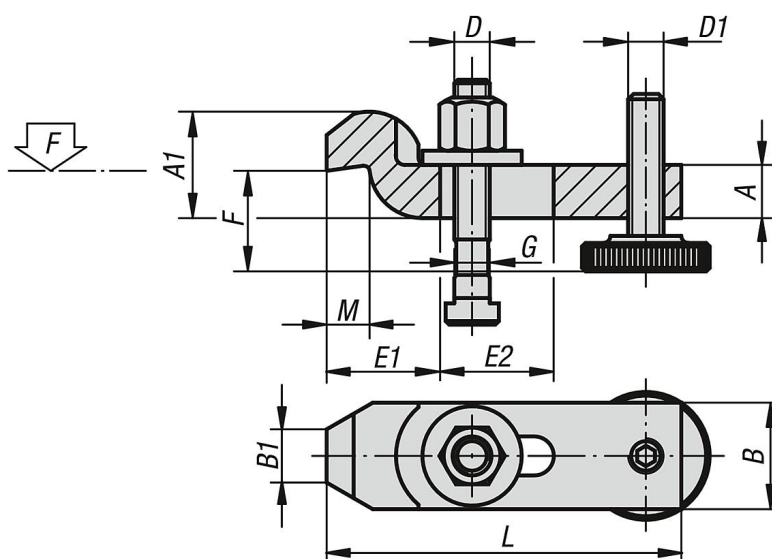
Version:

Straps painted.
Screws black oxidised.

Note:

"F" is dependent on the depth of the DIN 650 slot.

Drawings



Overview of items

Order No.	L	A	A1	B	B1	E1	E2	F	G for T-slot	D	D1	M	F kN
04193-1010	100	15	30	30	15	32	32	22-46	10	M10x80	M10	12	13,9
04193-1212	125	20	40	40	20	40	40	28-58	12	M12x100	M12	16	20,2
04193-1214	125	20	40	40	20	40	40	28-56	14	M12x100	M12	16	20,2
04193-1616	160	25	50	50	25	49	50	36-72	16	M16x125	M16	20	37,8
04193-1618	160	25	50	50	25	49	50	36-69	18	M16x125	M16	20	37,8
04193-2020	200	30	60	60	30	55	70	43-92	20	M20x160	M20	24	58,8
04193-2022	200	30	60	60	30	55	70	43-92	22	M20x160	M20	24	58,8