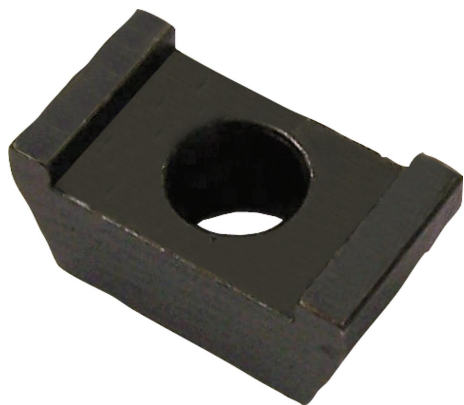


Item description/product images



Description

Material:

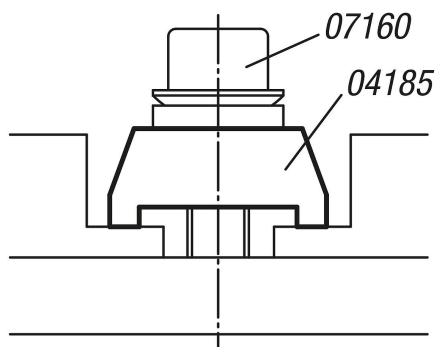
Steel.

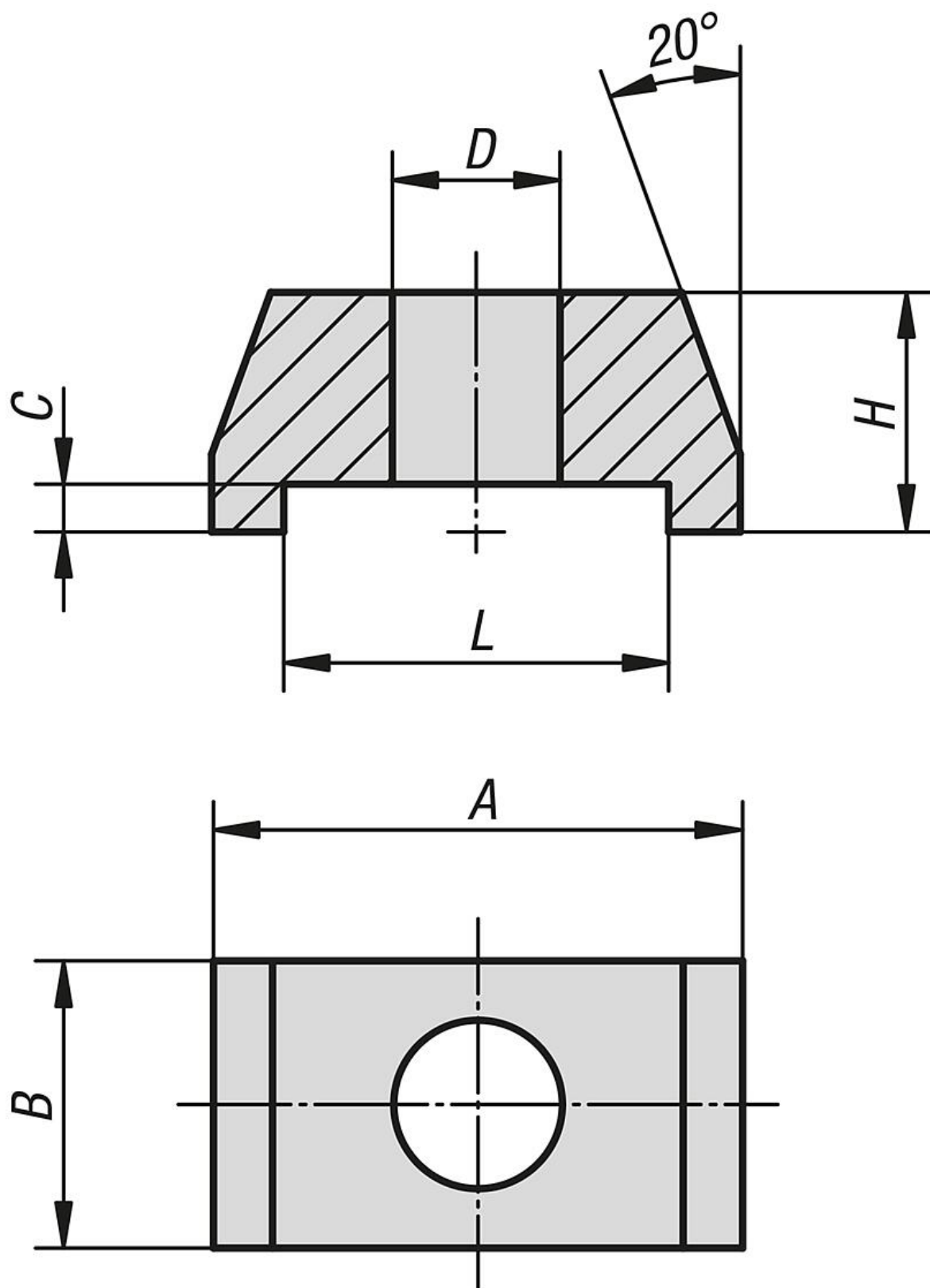
Version:

Black oxidised.

Note:

Two workpieces can be clamped simultaneously from one clamping point using the mini clamp strap.





Overview of items

Order No.	A	B	C	D	H	L	Clamping force kN
04185-006	22	12	2	7	10	16	4,82
04185-008	22	12	2	9	10	16	8,77
04185-010	35	19	3	11	15	24	13,9
04185-012	35	19	3	13	15	24	20,2
04185-016	50	29	5	17	25	36	37,8