

Item description/product images

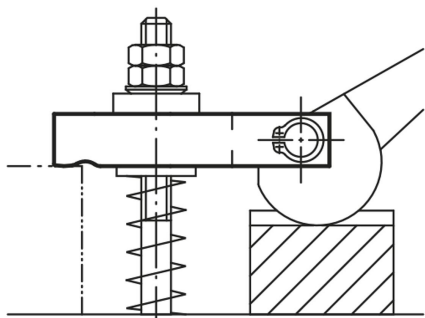


Description

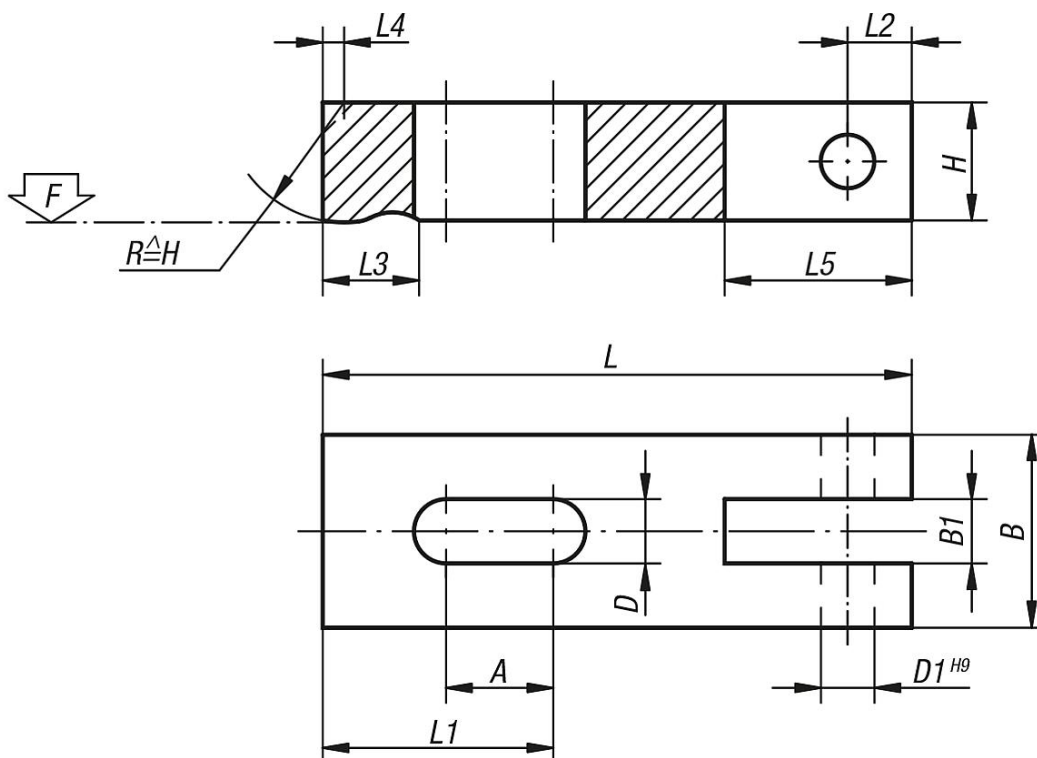
**Material:**  
Carbon steel 1.1191

**Version:**  
Tempered and black oxidised.

**Note:**  
Suitable hinge pins 04250.  
Cam levers 04290.  
When using spherical washers 07420 use Form G.



Drawings



Overview of items

Order No.	L	L1	L2	L3	L4	L5	B	B1	H	D	D1	A	F max. kN
04170-08	63	28	8	12	2	24	25	9,5	16	9	8	16	8,77
04170-10	80	36	10	16	2,5	29	32	12,5	20	11	10	20	13,9
04170-12	100	45	12	22	3	36	40	14,5	25	14	12	25	20,2

