

Item description/product images



Description

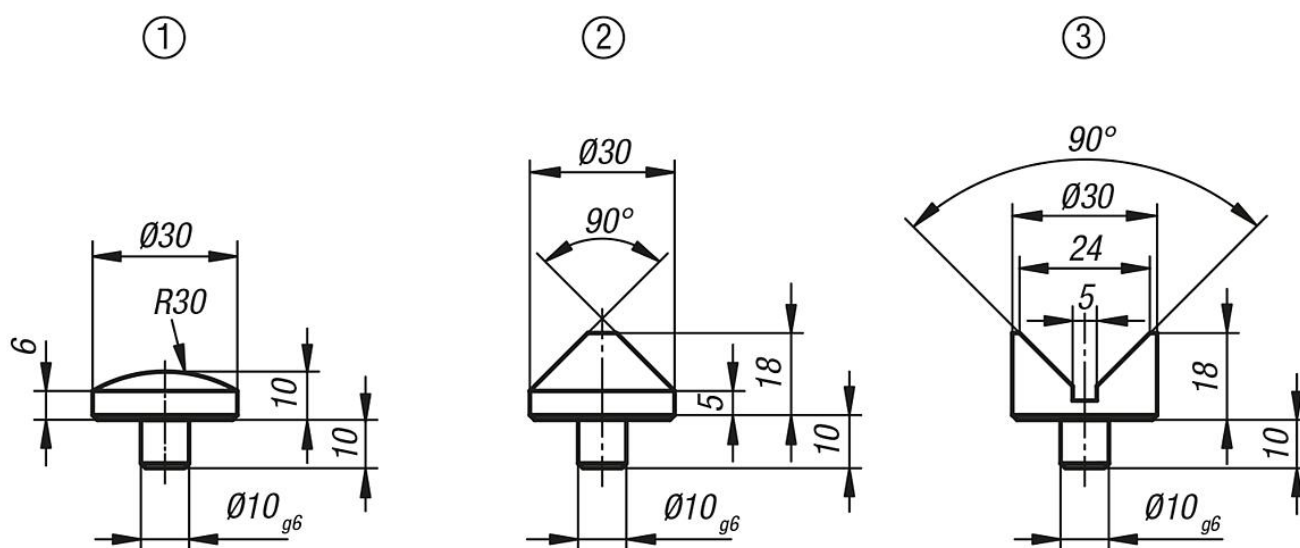
Material:
Carbon steel.

Version:
Tempered to 1100-1200 N/mm², black oxidised.

Drawing reference:

- 1) rounded insert
- 2) cone insert
- 3) prism insert

Drawings



Overview of items

Order No.	Version
02387-01	Rounded insert
02387-02	Cone insert
02387-03	Prism insert